

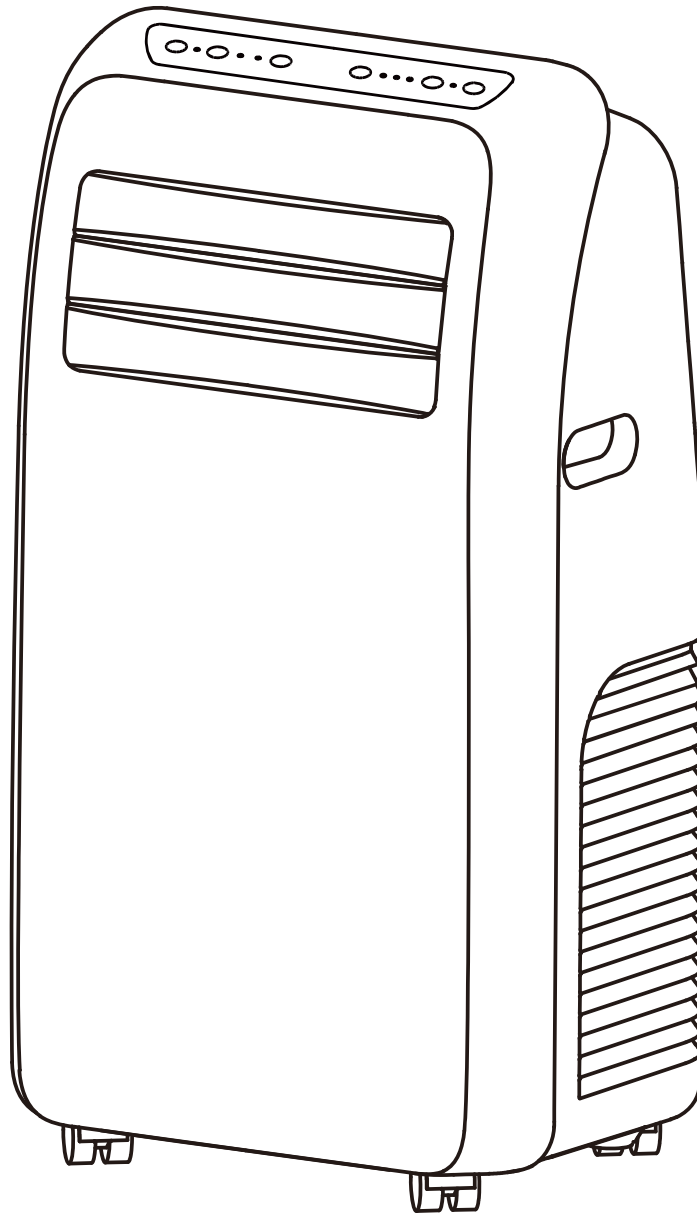
Haier

Portable Air Conditioner

Installation and User Manual

Model:

AM09AA1TAA
AM12AA1TAA
AM09AA1GAA
AM12AA1GAA



Thank you very much for selecting this new model of Portable Air Conditioner, please read this Operation Manual carefully before installing and using this appliance. Please keep this Operation Manual properly for future reference.

TABLE OF CONTENTS

AIR CONDITIONER SAFETY 2

PARTS AND FEATURES 3

INSTALLATION REQUIREMENTS 3

 Tools and Parts 3

 Location Requirements 4

 Electrical Requirements 4

INSTALLATION INSTRUCTIONS 5

 Step 1 - Unpack Air Conditioner 5

 Step 2 - Install Exhaust Nozzle to Main Window Panel 5

 Step 3 - Attach Exhaust Pipe Assembly To The Window Panel 5&6

 Step 4 - Connect Exhaust Hose To The Air Conditioner 6

 Step 5 - Complete Installation 6

CONTROL PANEL 7

 Buttons 7

 Remote Control 8

 Indicator Lights 8

AIR CONDITIONER USE 8

DRAINAGE INSTRUCTION 9

AIR CONDITIONER CARE 10

 Cleaning 10

 Air Filters 10

 Internal Water Tank 10

 Storage 10

TROUBLESHOOTING 11

SPECIFICATION 12

RECORD KEEPING

Thank you for purchasing this GE Appliances product. This user manual will help you get the best performance from your new air conditioner.

For future reference, record the model and serial number located on the label on the side of your air conditioner, and the date of purchase.

Staple your proof of purchase to this manual to aid in obtaining warranty service if needed.

Model number

Serial number

Date of purchase

AIR CONDITIONER SAFETY

Your safety and the safety of others are very important.

We have provided many important safety messages in this manual and on your appliance. Always read and obey all safety messages.



This is the safety alert symbol.

This symbol alerts you to potential hazards that can kill or hurt you and others. All safety messages will follow the safety alert symbol and either the word "DANGER," "WARNING" or "CAUTION."

These words mean:



An imminently hazardous situation. You could be killed or seriously injured if you don't immediately follow instructions.



A potentially hazardous situation which, if not avoided, could result in death or serious bodily injury.



A potentially hazardous situation which, if not avoided, may result in moderate or minor injury.

All safety messages will tell you what the potential hazard is, tell you how to reduce the chance of injury, and tell you what can happen if the instructions are not followed.

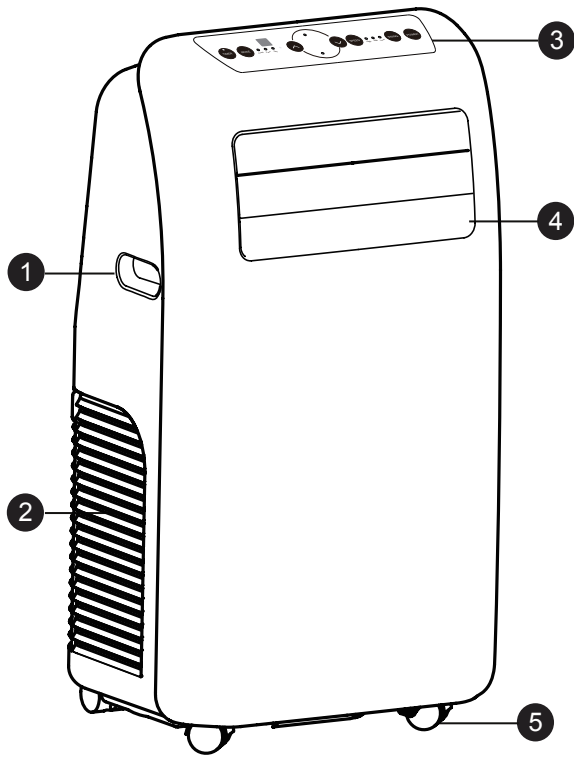
IMPORTANT SAFETY INSTRUCTIONS

WARNING: To reduce the risk of fire electrical shock, injury to persons, or damage when using the air conditioner, follow basic precautions, including the following:

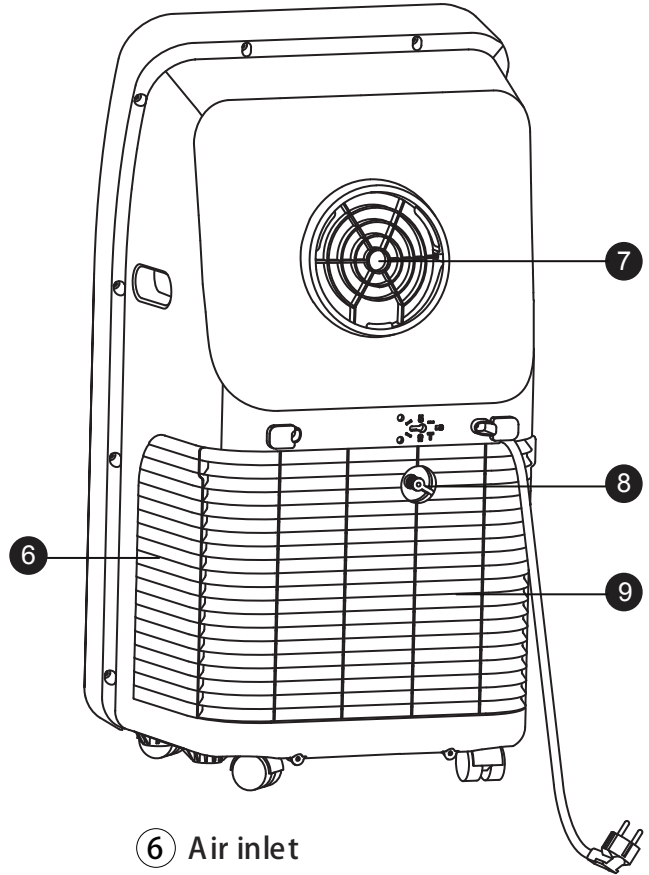
- Read all of the instructions before using this appliance.
 - Plug into a grounded outlet only.
 - Do not remove ground contacts from the power cord plug.
 - Do not use an adapter.
 - Do not use an extension cord.
 - Do not operate the air conditioner if it has a damaged cord or plug, if it is not working properly, or if it has been damaged or dropped.
 - The air conditioner should be serviced only by qualified service personnel. Call an authorized service company for examination, repair, or adjustment.
 - Disconnect power before cleaning.
- NOTE:** Turning off power by pressing the Power button does NOT disconnect the appliance from the power supply.
- Do not install or use the air conditioner in any area where the atmosphere contains combustible gases or where the atmosphere is contaminated. Avoid any chemicals coming in contact with your air conditioner.
 - Do not store anything directly on top of the air conditioner.
 - Use two or more people to move and install air conditioner.
 - Never operate the air conditioner without the filter in place.
 - Do not use the air conditioner near a bathtub, shower or wash basin or other wet area.

READ AND SAVE THESE INSTRUCTIONS

PARTS AND FEATURES



- ① Handle
- ② Air inlet
- ③ Control panel
- ④ Wind guide bar
- ⑤ Cast er



- ⑥ Air inlet
- ⑦ Air outlet
- ⑧ Deh umidifica tion drainag e nozzle
- ⑨ Air inlet grille

INSTALLATION REQUIREMENTS

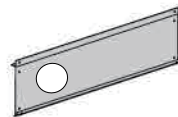
TOOLS AND PARTS

Gather the required tools and parts before starting installation.

TOOLS NEEDED

- Flat-blade Screwdriver

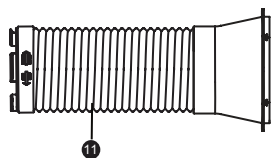
PARTS SUPPLIED



• Main Window Panel



• Extension Panel



- Exhaust pipe assembly



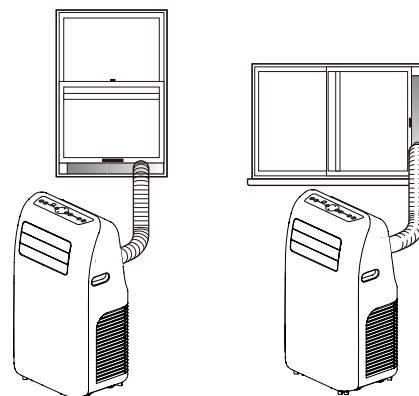
- Screw (2)
1 for extension panels
1 for nozzle



- Remote Control for Cooling Only Model



- Remote Control for Cooling & Heating Model



ELECTRICAL REQUIREMENTS

⚠ WARNING



Electrical Shock Hazard

Plug into a grounded outlet only.

Do not remove the ground contacts from the power cord plug.

Do not use an adapter.

Do not use an extension cord.

Failure to follow these instructions can result in death, fire or electrical shock.

LOCATION REQUIREMENTS

- Place the air conditioner on a flat level surface in a location that is at least 51 cm from any wall.
- NOTE:** A minimum clearance of 51 cm from the air conditioner to the wall must be maintained to ensure proper airflow
- Maintain a minimum 51 cm clearance around the air conditioner to not block airflow
 - Keep the air conditioner free of any obstructions such as drapes, curtains, blinds, etc.

- The exhaust hose should be free of any obstructions.
- Do not place the air conditioner on an unstable or raised surface because it could fall and cause damage or injury.
- Do not place the air conditioner in direct sunlight or near a heat source such as baseboard heaters, stoves, etc.
- The window panel can be installed in a window with a 90 cm to a maximum 130cm opening.

POWER SUPPLY CORD

Wiring Requirements

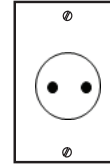
- 230 Volt, 50Hz, 16-amp fused grounded outlet
- The use of a time-delay fuse or time-delay circuit breaker is recommended.
- Use a dedicated circuit only.

NOTE: Do not operate any other electrical appliances on this circuit or you may trip the circuit breaker/fuse.

If this power supply cord is damaged, it cannot be repaired. It must be replaced with a cord from the product manufacturer.

REQUIRED GROUNDING METHOD

This air conditioner must be grounded. The air conditioner is equipped with a power supply cord that has a grounding plug. The power supply cord must be plugged into a mating, grounded outlet, and grounded in accordance with all local codes and ordinances.



230V
16 Amp

INSTALLATION INSTRUCTIONS

STEP 1 - UNPACK AIR CONDITIONER

⚠ WARNING

Excessive Weight Hazard

Use two or more people to move and install air conditioner.
Failure to do so can result in back or other injury.

- Remove packaging materials. Save the carton and the foam packaging for storing the air conditioner when not in use.
NOTE: There are NO packing materials inside the air conditioner to remove—Do Not open the cabinet.
- Properly dispose of/recycle all packing material.
- Handle the air conditioner gently.
- Keep the air conditioner upright and level. Do not set the air conditioner on its side, front, back or upside down.

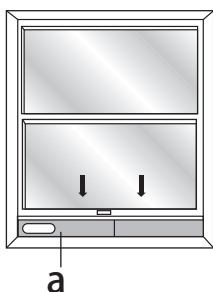
STEP 2 - INSTALL MAIN WINDOW PANEL AND EXTENSION PANELS

NOTE: Depending on the size of your window opening, use the main panel and one or both of the extension panels.

- Open the window and place the main window panel into the window.

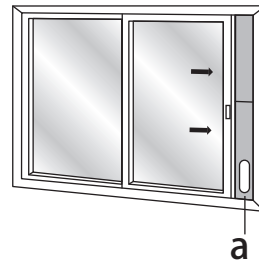
NOTE: The window assembly is designed to accommodate either a vertical slide or horizontal slide window.

Vertical Slide Window



(A) Main Window Panel

Horizontal Slide Window



(A) Main Window Panel

- Adjust the extension panel to fit the width or height of the window as shown.

NOTE: Some window installations may require the extension panels to be trimmed.

- Use one flat screw to secure the main panel to the extension panel.

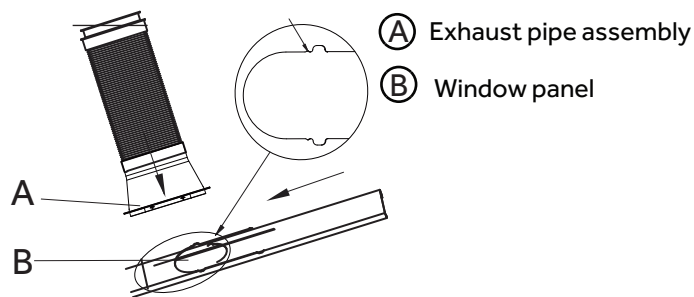


STEP 3 - ATTACH EXHAUST PIPE ASSEMBLY TO THE WINDOW PANEL

- Grasp both ends of the exhaust hose and gently pull to expand the hose.

NOTE: Do not attach additional hoses to extend the length. This would decrease cooling efficiency and may damage the air conditioner.

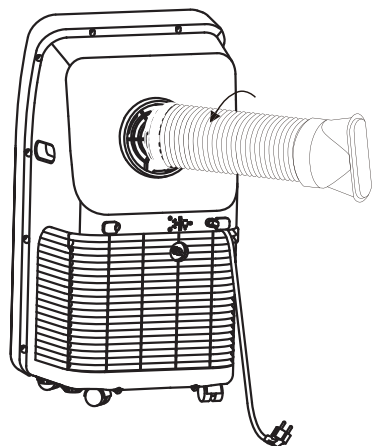
- Insert the air exhaust hose into the window sealing plate, fix it with screws



STEP 4 - CONNECT EXHAUST HOSE TO THE AIR CONDITIONER

IMPORTANT: When connecting the hose, the air conditioner must be close enough to the window that you will not dislodge the window seal plate. Once the hose is connected, move the air conditioner 51 cm from the wall.

1. Align the notches on the connector end of the exhaust hose with the ridges in the opening on the back of the air conditioner.
2. Using a counterclockwise motion, screw the exhaust hose (connector end) into the air outlet located on the back of the air conditioner.



STEP 5 - COMPLETE INSTALLATION

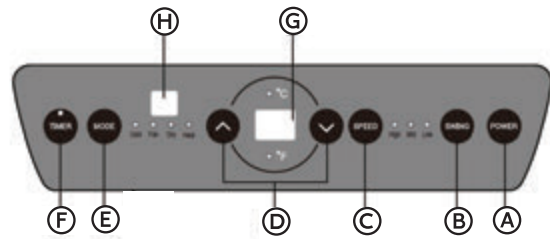
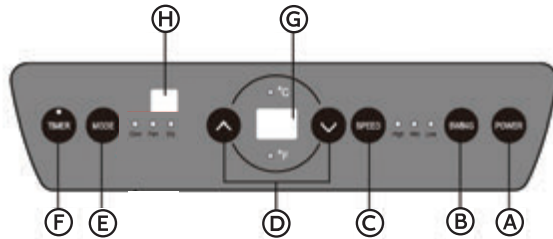
⚠ WARNING



Electrical Shock Hazard

Plug into a grounded outlet only.
 Do not remove the ground contacts from the power cord plug.
 Do not use an adapter.
 Do not use an extension cord.
 Failure to follow these instructions can result in death, fire or electrical shock.

CONTROL PANEL



BUTTONS

(A) POWER BUTTON

Turns ON/OFF power to the air conditioner.

NOTE: Turning off power by pressing the Power button does NOT disconnect the appliance from the power supply.

(B) SWING BUTTON

Press this key at any time after turning on the A/C to swing the wind guide bar automatically.

(C) FAN SPEED BUTTON

The fan speed can be adjusted from Low speed to High speed when the air conditioner is in operation.

NOTE: The fan speed cannot be adjusted when the unit is in Dehum mode.

- Press the Fan Speed button to toggle among the three speeds. The corresponding fan speed indicator will illuminate.

(D) UP AND DOWN ARROW BUTTONS

Adjusts the Temperature or Hours in Time Delay.

To Set the Temperature:

The temperature can be set between 16°C and 30°C when the air conditioner is in Cool mode.

1. Press the Mode button until the Cool mode is selected.
2. Press the Up Arrow or Down Arrow buttons to select the Temperature.

NOTE: The temperature cannot be set when the air conditioner is in either Fan or Dehum mode.

NOTE: The Up Arrow and Down Arrow buttons, when pressed at the same time, allow you to select between displaying the temperature in °C or °F. The corresponding indicator will illuminate.

(E) MODE BUTTON

Press the Mode button to toggle among the operating options. The corresponding indicator will illuminate:

Heat (on some models) - Heats the room to the set temperature

Cool – Cools the room to the set temperature

Dehum – Reduces the humidity in the room

Fan – Circulates the air in the room without cooling

(F) TIMER BUTTON

Program a time from (1-hour to 24-hours) for the air conditioner to turn Off

While the air conditioner is operating:

1. Press the Timer button.
2. Press the Up/Down arrow buttons to select the number of hours you want the air conditioner to continue to operate before turning Off.

NOTE: Wait approximately 5 seconds for the Turn-Off time to be saved.

While the air conditioner is off:

1. Press the Timer button.
2. Press the Up/Down arrow buttons to select the number of hours you want the air conditioner to remain off before turning On.

NOTE: Wait approximately 5 seconds for the Turn-On time to be saved.

To cancel the timer:

- Press the Timer button once, the hours remaining will flash, press the timer button again and the timer will be cancelled.

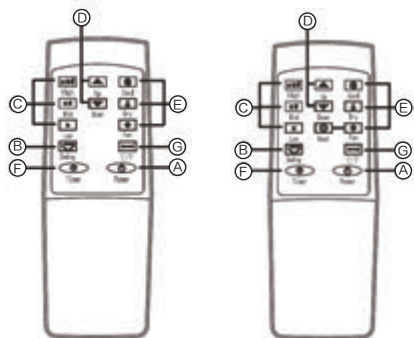
(G) CONTROL PANEL DISPLAY

Displays the Set Temperature in degrees Fahrenheit or degrees Celsius, or the hours remaining in a Time Delay. The corresponding indicator light will illuminate.

(H) REMOTE CONTROL SIGNAL RECEIVING WINDOW

Aim the Remote Control at this window so the Control will receive the signal.

REMOTE CONTROL



1. Insert the two batteries (purchased by users).
2. Aim the remote control at the signal receiver on the control panel to operate the air conditioner.

(A) POWER KEY

Press the key to turn ON/OFF the A/C.

(B) SWING KEY

Press this key at any time after turning on the A/C to swing the wind guide bar automatically.

(C) SPEED KEY

Press the key to choose high/ low gear wind speed.

(D) TEMPERATURE/ TIME ADJUSTING KEY

Press the key at cooling mode to increase/reduce the setting temperature; press it at timing mode to adjust timing ON/OFF time; press Up and Down keys simultaneously to switch Fahrenheit and Centigrade degree temperature.

(E) MODE KEY

Press the key to choose cooling, fan, dehumidification and heating(only for cooling&heating model) .

(F) TIMER KEY

Press the key at standby mode to set ON time. Press this key at ON mode to set OFF time.

(G) °C / °F SWITCHING KEY

Press the key to switch °C and F.

AIR CONDITIONER USE

IMPORTANT: If the air conditioner has been tilted on its side, wait 24 hours before turning on the air conditioner to allow the oil to return to the compressor. This will prevent the air conditioner from failing prematurely.

- Allow 51 cm of space around the unit for proper air circulation.
- Do Not operate the air conditioner without air filter in place.
- Do not spill liquid on the control panel; it may cause an electrical short to the interior electronic parts that would either disable them or cause them to function improperly.
- When turning on the air conditioner for the first time after plugging it into an electrical outlet, the unit will start in Cooling mode set at 22°C , and at low fan speed. The control panel will display the current room temperature.
- When turning on the unit after previous use, it will remember the last settings used.
- After a normal shut down, please wait for 3 minutes before restarting the unit.
- In Cooling mode, this unit should not require water to be removed. This model has a unique design that continuously evaporates the water.
- When the unit is operated in high humidity conditions, you may need to empty the water tank periodically.
- The unit will shut down automatically when the water tank is full. The Water Full indicator illuminates to alert you of this condition.

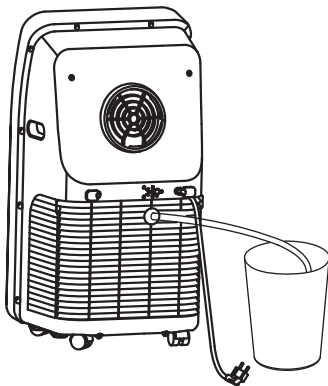
DRAINAGE INSTRUCTION

It also has two drainage methods that can be used
- manual drainage and continuous drainage.

MANUAL DRAIN

This unit is designed with a highly efficient self-evaporative system and it is suggested to use manual drainage in cooling mode. Condensate will recycle in the unit to cool the condenser and enhance cooling performance. However in extreme humidity, the water tank in the chassis will fill up and "FL" will show on the LED display. When this happens the water tank needs to be drained manually from lower drain port.

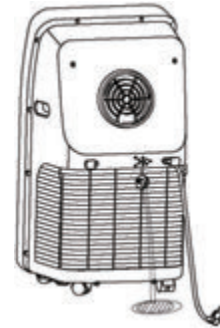
1. Put a water wedge below the upper drain port at the back of the unit.
2. Screw off the drain port cover and then connect drain-hole 12mm external diameter PVC drain hose to allow water flow into the water wedge.
3. After water has stopped flowing, plug in the water stopper back in and screw the drain port cover back onto the drain port tightly.



CONTIOUOUS DRAIN

We strongly recommend to use this method, and drain from the lower drain port if the unit is being used in heating mode, because self-evaporative cooling system does not work in heating mode.

1. Screw off the drain port cover and remove the water
2. Connect drain-hole with 12mm internal diameter PVC drain hose, inserted as deep as possible to avoid leakages .
3. Pull the end of the drain hose to a drain outlet within the home, or to the outside of the home.



NOTE:

- The drain hose must be installed before unit starts working.
- The drain hose should be routed so that it cannot be accidentally accessed during normal use. It should also be laid as straight as possible, with no sharp bends that would restrict water flow. The entire drain hose should also be kept at a level below that of the drain port.

⚠ WARNING

Choke Hazard

Keep the drain cover and the water stopper stored safely, out of the sight and reach of infants and children, when continuous drainage has been adopted.

AIR CONDITIONER CARE

⚠ WARNING



Electrical Shock Hazard

Disconnect power before cleaning.

Failure to do so can result in death or electrical shock.

CLEANING

1. Unplug or disconnect power.
2. Use only a soft cloth dampened with water to clean the cabinet.

NOTE:

- Do not use a liquid or spray cleaner to clean the air conditioner.
 - DO NOT use chemicals, abrasives, ammonia, chlorine bleach, concentrated detergents, solvents or scouring pads. Some of these chemicals/items may damage and/or discolor your air conditioner.
3. Dry thoroughly with a soft cloth.
 4. Plug in or reconnect power.

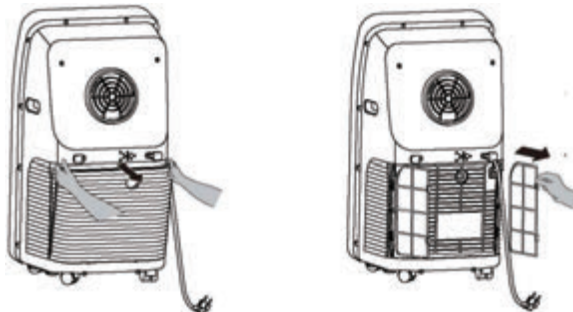
AIR FILTERS

The air filter should be cleaned at least once a week for your unit to operate at optimum efficiency.

IMPORTANT: Do Not operate the air conditioner without air filter in place.

1. Unplug or disconnect power.

2. Take out the air inlet grille and pull out the filter screen at both sides according to the direction shown in the following figures.



3. Put the filter screen into the warm water (about 40 °C) added with neutral detergent, dry it at a shady place after cleaning.
4. Reinstall the filters
5. Plug in or reconnect power.

STORAGE

If the unit is not being used for a long period of time:

1. Unplug or disconnect power.
2. Drain the water from the water tank. See "Air Conditioner Care."
3. Use the original packaging to repack the unit to avoid a buildup of dust or dirt.
4. Store the air conditioner in a cool, dry location.

TROUBLESHOOTING

First try the solutions suggested here to possibly avoid the cost of a service call.

TROUBLE	CAUSE	SOLUTION
The A/C doesn't work	Not plugin	Plug in
	The display panel displays "FL"	Restart the A/C after power off and draining, then it will become normal
	Time OFF function is started	The A/C can be restarted 3 minutes after being turning off.
The A/C starts frequently	Direct sunlight	Draw the curtain
	Doors and windows keep open; there are lots of people or heat source in room	Close doors and windows, remove heat source
	Filter screen is very dirty	Clean or replace it
	Air inlet or air outlet is blocked	Remove the stem
Big noise of the A/C	The A/C is placed unevenly	Place it at even and firm ground, avoid shaking
The compressor doesn't work	Its delay protection is started	Wait for 3min., turn on it after temperature decreases

SPECIFICATION

IMPORTANT INFORMATION REGARDING THE REFRIGERANT USED

This product contains the gas R290, contained in a hermetically sealed system.

AM09AA2TAA/AM09AA2GAA

Charge = 0.235 kg,
GWP = 3,
CO2 Equivalent = 0.000705 tones

AM12AA2TAA/AM12AA2GAA

Charge = 0.245 kg,
GWP = 3,
CO2 Equivalent = 0.000735 tones

EUROPEAN REGULATIONS CONFORMITY FOR THE MODELS

WEEE

In accordance with the directive of the European parliament, herewith we inform the consumer about the dis-posal requirements of the electrical and electronic products.

DISPOSAL REQUIREMENTS:



Your air conditioning product is marked with this symbol. This means that electrical and electronic products shall not be mixed with unsorted household waste. Do not try to dismantle the system yourself : the dismantling of the air conditioning system, treatment of the refrigerant, of oil and of other part must be done by a qualified installer in accordance with relevant local and national legislation. Air conditioners must be treated at a specialized treatment facility for reuse, recycling and recovery. By ensuring this product is disposed of correctly, you will help to prevent potential negative consequences for the environment and human health. Please contact the installer or local authority for more information. Battery must be removed from the remote controller and disposed of separately in accordance with relevant local and national legislation.

Haier

Climatiseur Portable

Installation et manuel d'utilisation

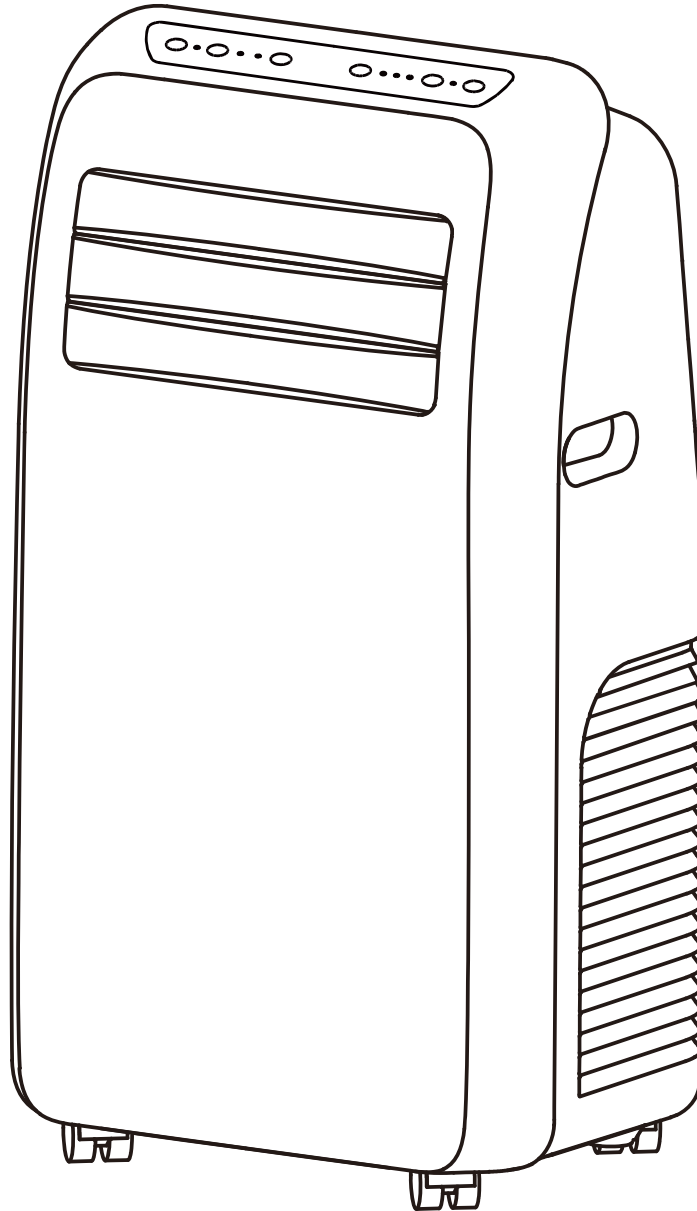
Modèle:

AM09AA1TAA

AM12AA1TAA

AM09AA1GAA

AM12AA1GAA



Merci beaucoup pour la sélection de ce nouveau modèle de climatiseur portable,
Veuillez lire attentivement ce mode d'emploi avant d'installer et d'utiliser l'appareil.
Veuillez conserver ce manuel d'utilisation correctement pour référence ultérieure.

Sommaire

SECURITE DU CLIMATISEUR.....	2
PIECES ET CARACTERISTIQUES.....	3
CONDITIONS REQUISES DE L'INSTALLATION	3
Outils et pièces	3
Conditions d'emplacement	4
Exigences de sécurité électrique	4
INSTRUCTIONS D'INSTALLATION	5
Étape 1-Déballage du climatiseur	5
Étape 2-Installer la buse d'échappement sur le panneau de la fenêtre principale	5
Étape 3-Fixez l'assemblage du tuyau d'échappement au panneau de fenêtre	5&6
Étape 4-Raccorder le tuyau d'échappement au climatiseur	6
Étape 5-Installation complète	6
PANNEAU DE CONTRÔLE.....	7
Buttons	7
Télécommande	8
Voyants lumineux.....	8
UTILISATION DU CLIMATISEUR	8
INSTRUCTION DE DRAINAGE.....	9
ENTRETIEN DU CLIMATISEUR	10
Impression d'une page de nettoyage.....	10
Filtres à air.....	10
Réservoir d'eau interne.....	10
Stockage	10
DÉPANNAGE	11
La SECIIICATION.....	12

TENUE

Merci d'avoir acheté ce produit GE. Ce mode d'emploi vous aidera à obtenir les meilleures performances de votre nouveau climatiseur.

Pour référence ultérieure, enregistrer le modèle et le numéro de série situés sur l'étiquette sur le côté de votre climatiseur, et la date d'achat.

Agrafez votre preuve d'achat à ce manuel pour vous aider à obtenir le service de garantie si nécessaire.

Numéro de modèle

Numéro de série

Date d'achat

SECURITE DU CLIMATISEUR

Votre sécurité et la sécurité des autres sont très importantes.

Nous avons fourni de nombreux messages de sécurité importants dans ce manuel et sur votre appareil. Toujours lire et obéir à tous les messages de sécurité.



C'est le symbole d'alerte de sécurité.

Ce symbole vous avertit des dangers potentiels qui peuvent vous tuer ou vous blesser et d'autres. Tous les messages de sécurité suivront le symbole d'alerte de sécurité et soit le mot «DANGER», «AVERTISSEMENT» ou «ATTENTION».

Ces mots signifient:



Une situation dangereuse imminente. Vous pourriez être tué ou gravement blessé si vous ne suivez pas immédiatement les instructions.



AVERTISSEMENT indique une situation potentiellement dangereuse qui, si elle n'est pas évitée, peut entraîner la mort ou des blessures graves.



PRUDENCE indique une situation potentiellement dangereuse qui, si elle n'est pas évitée, peut entraîner une blessure mineure ou modérée.

Tous les messages de sécurité vous diront quel est le danger potentiel, vous dire comment réduire les risques de blessure, et vous dire ce qui peut arriver si les instructions ne sont pas suivies.

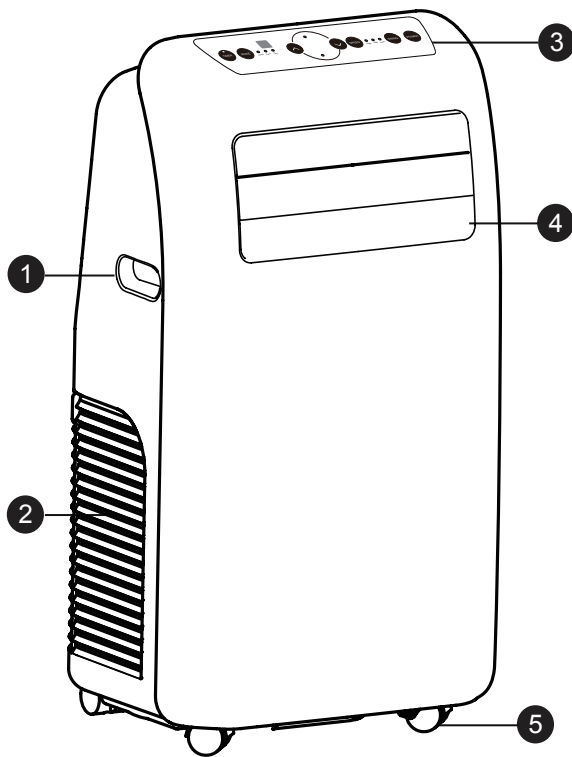
CONSIGNES DE SÉCURITÉ IMPORTANTES

AVERTISSEMENT: Pour réduire le risque de choc électrique, de blessure ou d'endommagement lors de l'utilisation du climatiseur, suivez les précautions de base, y compris les suivantes:

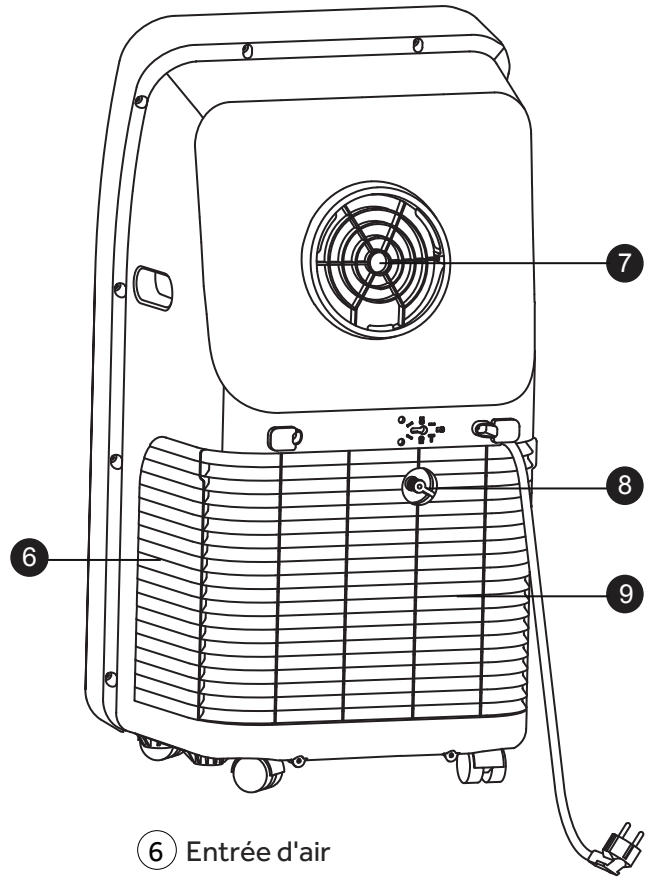
- Lisez toutes les instructions avant d'utiliser cet appareil.
- Brancher uniquement sur une prise de terre.
- Ne pas enlever les contacts au sol de la fiche du cordon d'alimentation.
- N'utilisez pas d'adaptateur.
- N'utilisez pas de rallonge.
- Ne jamais utiliser ce produit si le cordon ou la fiche sont endommagés, s'il ne fonctionne pas correctement, s'il est tombé ou endommagé ou s'il est tombé dans l'eau.
- Le climatiseur ne doit être entretenu que par un technicien qualifié. Appelez une compagnie de service agréée pour l'examen, la réparation ou l'ajustement.
- Débranchez l'alimentation avant de le nettoyer.
Remarque: Le fait d'éteindre l'alimentation en appuyant sur le bouton d'alimentation ne déconnecte pas l'appareil de l'alimentation.
- Ne pas installer ou utiliser le climatiseur dans une zone où l'atmosphère contient des gaz combustibles ou où l'atmosphère est contaminée. Évitez les produits chimiques entrant en contact avec votre climatiseur.
- Ne rangez rien directement au-dessus du climatiseur.
- Il faut deux personnes ou plus pour déplacer et installer le climatiseur.
- Ne jamais utiliser le climatiseur sans le filtre en place.
- Ne pas utiliser le climatiseur près d'une baignoire, d'une douche ou d'un lavabo ou d'une autre zone humide.

LISEZ ET ENREGISTREZ CES INSTRUCTIONS

PIECES ET CARACTERISTIQUES



- ① Poignée
- ② Entrée d'air
- ③ Panneau de contrôle
- ④ Barre de guidage du vent
- ⑤ Roulette



- ⑥ Entrée d'air
- ⑦ Sortie d'air
- ⑧ Buse de drainage de déshumidification
- ⑨ Grille d'entrée d'air

CONDITIONS REQUISES DE L'INSTALLATION

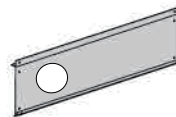
OUTILS ET PIÈCES

Rassembler les outils nécessaires et les pièces fois démarrage installation.

OUTILS NÉCESSAIRES

- Tournevis à lame plate

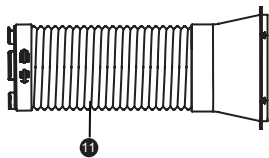
PIÈCES FOURNIES



- Panneau de fenêtre principal



- Panneau d'extension



- Ensemble tuyau d'échappement



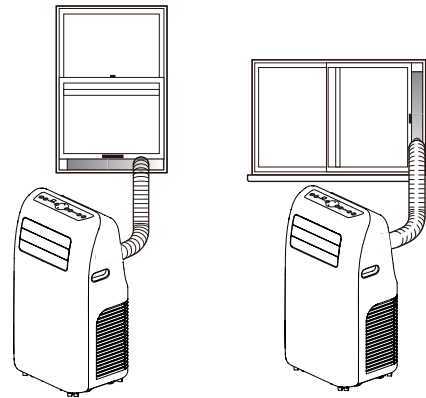
- Vis (2)
1 pour les panneaux d'extension
1 pour buse



- Télécommande pour le modèle de refroidissement uniquement



- Télécommande pour le refroidissement et le modèle de chauffage



EXIGENCES DE SÉCURITÉ ÉLECTRIQUE

⚠ AVERTISSEMENT



Risque de choc électrique

Brancher uniquement sur une prise de terre.

Ne retirez pas les contacts au sol de la fiche du cordon d'alimentation.

N'utilisez pas d'adaptateur.

N'utilisez pas de rallonge.

Le non-respect de ces instructions peut entraîner la mort, un incendie ou un choc électrique.

CONDITIONS D'EMPLACEMENT

- Placez le climatiseur sur une surface plane à un endroit situé à au moins 51 cm de tout mur.
Remarque: Un dégagement minimal de 51 cm du climatiseur au mur doit être maintenu pour assurer une bonne circulation d'air
- Maintenir un dégagement minimal de 51 cm autour du climatiseur pour ne pas bloquer le débit d'air
- Gardez l'air conditionné exempt de tout obstacle tel que rideaux, stores, etc.
- Le tuyau d'échappement doit être exempt de toute obstruction.
- Ne placez pas le climatiseur sur une surface instable ou surélevée parce qu'il pourrait tomber et causer des dommages ou des blessures.
- Ne placez pas le climatiseur à la lumière directe du soleil ou à proximité d'une source de chaleur telle que des chauffe-plinthes, des poêles, etc.
- Le panneau de fenêtre peut être installé dans une fenêtre de 90 cm à une ouverture maximale de 130cm.

LE FIL D'ALIMENTATION ÉLECTRIQUE EST DÉCONNECTÉ?

Exigences de câblage

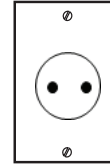
- Prise de courant mise à la terre avec fusible de 230 V, 50 Hz, 16 A
- L'utilisation d'un fusible temporisé ou d'un disjoncteur différé est recommandée.
- Utilisez uniquement un circuit dédié.

Remarque: N'utilisez pas d'autres appareils électriques sur ce circuit ou vous risquez de déclencher le disjoncteur/fusible.

Si ce cordon d'alimentation est endommagé, il ne peut pas être réparé. Il doit être remplacé par un cordon du fabricant du produit.

MÉTHODE DE MISE À LA TERRE REQUISE

Cet air conditionné doit être mis à la terre. Le climatiseur est équipé d'un cordon d'alimentation qui possède une fiche de mise à la terre. Le cordon d'alimentation doit être branché sur une prise d'accouplement, mise à la terre, et mis à la terre conformément à tous les codes et ordonnances locaux.



230V
16 Amp

INSTRUCTIONS D'INSTALLATION

ETAPE 1-DÉBALLAGE DU CLIMATISEUR

⚠ AVERTISSEMENT

Risque de poids excessif

Il faut deux personnes ou plus pour déplacer et installer le climatiseur.

Le défaut de le faire peut entraîner un retour ou une autre blessure.

- Retirez tous les matériaux d'emballage. Conservez le carton et l'emballage en mousse pour ranger le climatiseur lorsqu'il n'est pas utilisé.
Remarque: Il n'y a pas de matériaux d'emballage à l'intérieur du climatiseur à enlever — n'ouvrez pas l'armoire.
- Disposer correctement/recycler tout le matériel d'emballage.
- Manipulez le climatiseur en douceur.
- Maintenez le climatiseur à la verticale et au niveau. Ne pas mettre le climatiseur sur le côté, le devant, le dos ou l'envers.

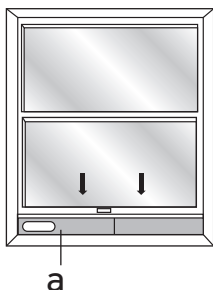
ETAPE 2-INSTALLATION DU PANNEAU DE FENÊTRE PRINCIPAL ET DES PANNEAUX D'EXTENSION

Remarque: En fonction de la taille de l'ouverture de la fenêtre, utilisez le panneau principal et un ou les deux panneaux d'extension.

- Ouvrez la fenêtre et placez le panneau de la fenêtre principale dans la fenêtre.

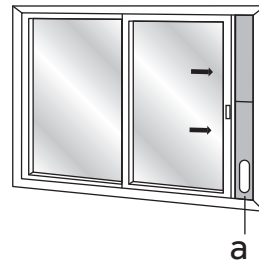
Remarque: L'ensemble de fenêtres est conçu pour accueillir soit une glissière verticale ou une fenêtre coulissante horizontale.

Fenêtre de diapositive verticale



(A) Panneau de fenêtre principal

Fenêtre de diapositive horizontale



(A) Panneau de fenêtre principal

- Ajustez le panneau d'extension pour qu'il s'adapte à la largeur ou à la hauteur de la fenêtre, comme illustré.

Remarque: Certaines installations de fenêtres peuvent nécessiter la rognée des panneaux d'extension.

- Utilisez une vis plate pour fixer le panneau principal au panneau d'extension.

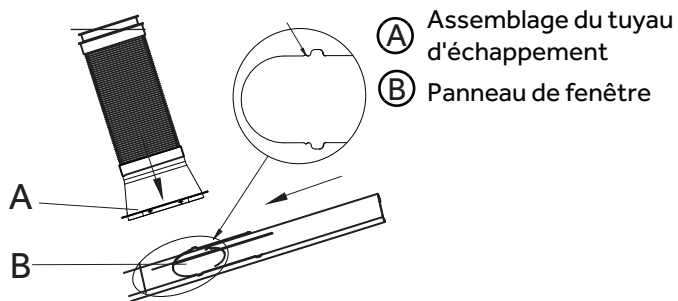


ÉTAPE 3-FIXEZ L'ASSEMBLAGE DU TUYAU D'ÉCHAPPEMENT AU PANNEAU DE FENÊTRE

- Saisir les deux extrémités du tuyau d'échappement et tirer doucement pour agrandir le tuyau.

Remarque: Ne pas attacher de tuyaux supplémentaires pour prolonger la longueur. Cela diminuerait l'efficacité de refroidissement et pourrait endommager le climatiseur.

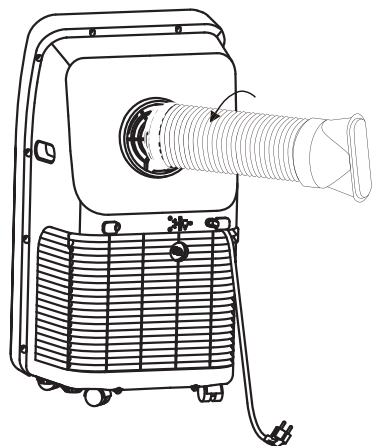
- Insérez le tuyau d'échappement d'air dans la plaque d'étanchéité de la fenêtre, fixez-le avec des vis



ÉTAPE 4-RACCORDER LE TUYAU D'ÉCHAPPEMENT AU CLIMATISEUR

IMPORTANT : Lors de la connexion du tuyau, le climatiseur doit être suffisamment près de la fenêtre pour ne pas déloger la plaque d'étanchéité de la fenêtre. Une fois le tuyau raccordé, déplacez le climatiseur à 51 cm du mur.

1. Alignez les encoches de l'extrémité du raccord du tuyau d'échappement avec les arêtes dans l'ouverture à l'arrière du climatiseur.
2. À l'aide d'un mouvement dans le sens antihoraire, vissez le tuyau d'échappement (extrémité du connecteur) dans la sortie d'air située à l'arrière du climatiseur.



ÉTAPE 5-INSTALLATION COMPLÈTE

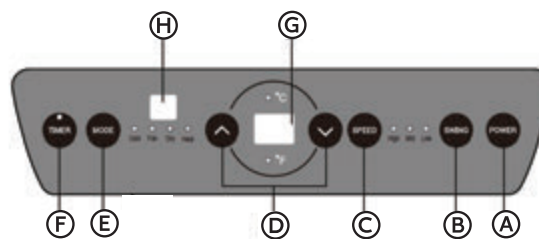
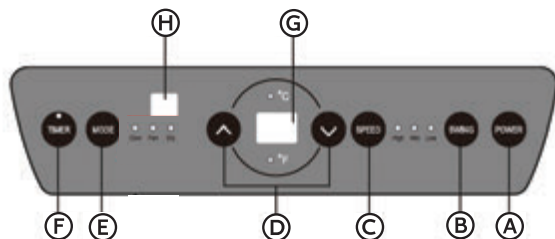
⚠ AVERTISSEMENT



Risque de choc électrique

Brancher uniquement sur une prise de terre.
 Ne retirez pas les contacts au sol de la fiche du cordon d'alimentation.
 N'utilisez pas d'adaptateur.
 N'utilisez pas de rallonge.
 Le non-respect de ces instructions peut entraîner la mort, un incendie ou un choc électrique.

PANNEAU DE CONTRÔLE



BOUTON

(A) BOUTON D'ALIMENTATION

Activer/désactiver l'alimentation du climatiseur.

Remarque:Le fait d'éteindre l'alimentation en appuyant sur le bouton d'alimentation ne déconnecte pas l'appareil de l'alimentation.

(B) BOUTON SWING

Appuyez sur cette touche à tout moment après avoir allumé l'A/C pour faire pivoter la barre de guidage du vent automatiquement.

(C) BOUTON DE VITESSE DU VENTILATEUR

La vitesse du ventilateur peut être réglée de basse vitesse à haute vitesse quand le climatiseur est en service.

Remarque:La vitesse du ventilateur ne peut pas être réglée lorsque l'appareil est en mode DEHUM.

- Appuyez sur le bouton de vitesse du ventilateur pour basculer entre les trois vitesses. L'indicateur de vitesse du ventilateur correspondant s'allume.

(D) BOUTONS FLÉCHÉS HAUT ET BAS

Ajuste la température ou les heures dans le délai.

Réglez la température :

La température peut être réglée entre 16 °C et 30 °C lorsque le climatiseur est en mode refroidissement.

1. Appuyez sur le bouton mode jusqu'à ce que le mode cool soit sélectionné.
2. Appuyez sur les boutons flèche haut ou bas pour sélectionner la température.

Remarque:La température ne peut pas être réglée lorsque le climatiseur est en mode Fan ou DEHUM.

Remarque:Les boutons flèche haut et flèche vers le bas, lorsqu'ils sont pressés en même temps, vous permettent de choisir entre l'affichage de la température en °C ou °F. L'indicateur correspondant s'allume.

(E) TOUCHE MODE

Appuyez sur le bouton mode pour basculer entre les options de fonctionnement. L'indicateur correspondant s'allume:

Chauffer (sur certains modèles)-chauffe la pièce à la température réglée

Refroidir-refroidit la pièce à la température réglée

DEHUM-réduire l'humidité dans la pièce

Ventilateur-circule l'air dans la pièce sans refroidissement

(F) BOUTON DE MINUTERIE

Ventilateur-circule l'air dans la pièce sans refroidissement

Pendant que le climatiseur fonctionne:

1. Appuyez sur le bouton Timer (minuterie).
2. Appuyez sur les touches fléchées haut/bas pour sélectionner le nombre d'heures pendant lesquelles le climatiseur doit continuer à fonctionner avant d'éteindre.

Remarque:Attendez environ 5 secondes pour que le temps d'arrêt du Tum soit enregistré.

Pendant que le climatiseur est éteint:

1. Appuyez sur le bouton Timer (minuterie).
2. Appuyez sur les touches fléchées haut/bas pour sélectionner le nombre d'heures pendant lesquelles le climatiseur doit rester éteint avant d'allumer.

Remarque:Patiencez environ 5 secondes pour que le temps d'exécution soit enregistré.

Pour annuler la minuterie:

- Appuyez une fois sur la touche Timer, les heures restantes clignotent, appuyez de nouveau sur la touche TIMER et la minuterie sera annulée.

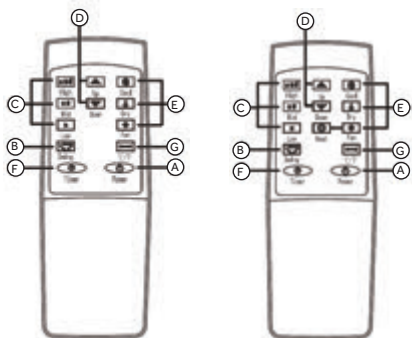
(G) AFFICHEUR DU PANNEAU DE COMMANDE

Affiche la température réglée en degrés Fahrenheit ou degrés Celsius, ou les heures restantes dans un délai.

Le témoin lumineux correspondant s'allume.

(H) FENÊTRE DE RÉCEPTION DE SIGNAUX DE COMMANDE À DISTANCE

Visez la télécommande à cette fenêtre afin que le contrôle reçoive le signal.



1. Insérez les deux piles (achetées par les utilisateurs).
2. Dirigez la télécommande vers le récepteur de signal sur le panneau de commande pour faire fonctionner le climatiseur.

(A) TOUCHE D'ALIMENTATION

Appuyez sur la touche pour allumer/éteindre l'A/C.

(B) TOUCHE SWING

Appuyez sur cette touche à tout moment après avoir allumé l'A/C pour faire pivoter la barre de guidage du vent automatiquement.

(C) SPEEDKEY

Appuyez sur la touche pour choisir une vitesse de vent élevée/faible.

(D) TOUCHE DE RÉGLAGE TEMPÉRATURE/TEMPS

Appuyez sur la touche en mode de refroidissement pour augmenter/réduire la température de réglage; Appuyez sur le mode de synchronisation pour régler le temps de marche/arrêt; Appuyez simultanément sur les touches haut et bas pour commuter la température de degré Fahrenheit et centigrade.

(E) TOUCHE MODE

Appuyez sur la touche pour choisir le refroidissement, le ventilateur, la déshumidification et le chauffage (uniquement pour les modèles de refroidissement et de chauffage).

(F) TOUCHE MINUTERIE

Appuyez sur la touche en mode veille pour régler l'heure. Appuyez sur cette touche en mode ON pour régler l'heure d'arrêt.

(G) °C / °F TOUCHE DE COMMUTATION

Appuyez sur la touche pour commuter °C and °F .

UTILISATION DU CLIMATISEUR

IMPORTANT : Si le climatiseur a été incliné sur le côté, attendre 24 heures avant d'allumer le climatiseur pour permettre à l'huile de retourner au compresseur. Cela empêchera l'air conditionné de s'échouer prématurément.

- Laisser 51 cm d'espace autour de l'appareil pour une bonne circulation d'air.
- Ne pas faire fonctionner le climatiseur sans filtre à air en place.
- Ne pas renverser de liquide sur le panneau de commande; Il peut provoquer un court-circuit électrique à l'intérieur des pièces électroniques qui soit les désactiver ou de les faire fonctionner incorrectement.
- Lorsque vous allumerez le climatiseur pour la première fois après l'avoir branché dans une prise électrique, l'appareil commencera en mode de refroidissement réglé à 22 °C et à basse vitesse du ventilateur. Le panneau de commande affichera la température ambiante actuelle.
- Lorsque vous allumerez l'appareil après une utilisation antérieure, il se souviendra des derniers réglages utilisés.
- Après un arrêt normal, veuillez patienter 3 minutes avant de redémarrer l'appareil.
- En mode refroidissement, cet appareil ne doit pas nécessiter l'eau à enlever. Ce modèle a un design unique qui évacue continuellement l'eau.
- Lorsque l'appareil est utilisé dans des conditions d'humidité élevée, vous devrez peut-être vider le réservoir d'eau périodiquement.
- L'appareil s'arrêtera automatiquement lorsque le réservoir d'eau est plein. L'indicateur d'eau pleine s'allume pour vous alerter de cette condition.

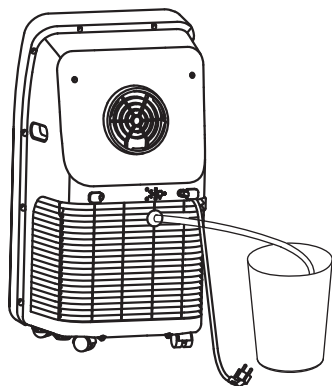
INSTRUCTION DE DRAINAGE

Il a également deux méthodes de drainage qui peuvent être utilisés—drainage manuel et le drainage continu.

MANUEL DE DRAINAGE

Cet appareil est conçu avec un système auto-évaporatif très efficace et il est suggéré d'utiliser le drainage manuel en mode refroidissement. Le condensat sera recyclé dans l'appareil pour refroidir le condenseur et améliorer les performances de refroidissement. Toutefois, dans l'humidité extrême, le réservoir d'eau dans le châssis se remplira et "FL" affichera sur l'affichage LED. Lorsque cela se produit, le réservoir d'eau doit être drainé manuellement à partir du port de vidange inférieur.

1. Placez un coin d'eau sous l'orifice de vidange supérieur à l'arrière de l'appareil.
2. Visser le couvercle du port de vidange, puis raccorder le tuyau de vidange en PVC de diamètre extérieur 12mm pour permettre à l'eau de couler dans le coin de l'eau.
3. Après que l'eau a cessé de couler, branchez le bouchon d'eau en arrière et vissez le couvercle du port de vidange sur l'orifice de vidange hermétiquement.



DRAIN CONTINUOUS

Nous recommandons vivement d'utiliser cette méthode et de drainer de l'orifice de vidange inférieur si l'appareil est utilisé en mode chauffage, car le système de refroidissement auto-évaporatif ne fonctionne pas en mode chauffage.

1. Visser le couvercle du port de vidange et retirer l'eau
2. Raccorder le trou de vidange avec un tuyau de vidange en PVC de diamètre interne de 12mm, inséré aussi profondément que possible pour éviter les fuites.
3. Tirez l'extrémité du tuyau de vidange à une sortie de vidange à l'intérieur de la maison, ou à l'extérieur de la maison.



Remarque:

- Le tuyau de vidange doit être installé avant que l'appareil ne commence à fonctionner.
- Le tuyau de vidange doit être acheminé de sorte qu'il ne puisse pas être accidentellement accédé pendant l'utilisation normale. Il doit également être posé aussi droit que possible, sans coudes pointus qui limiteraient le débit d'eau. L'ensemble du tuyau de vidange doit également être maintenu à un niveau inférieur à celui de l'orifice de vidange.

⚠ AVERTISSEMENT

Risque de choc

Gardez le couvercle de vidange et le bouchon d'eau stockés en toute sécurité, hors de la vue et de la portée des nourrissons et des enfants, lorsque le drainage continu a été adopté.

ENTRETIEN DU CLIMATISEUR

⚠ AVERTISSEMENT



Risque de choc électrique

Débranchez l'alimentation avant le nettoyage.
Le défaut de le faire peut entraîner la mort ou un choc électrique.

IMPRESSION D'UNE PAGE DE NETTOYAGE

1. Débranchez ou débranchez l'alimentation.
2. Utilisez uniquement un chiffon doux humidifié avec de l'eau pour nettoyer le meuble.

Remarque:

- N'utilisez pas de nettoyant liquide ou pulvérisateur pour nettoyer le climatiseur.
- Ne pas utiliser de produits chimiques, abrasifs, ammoniac, javellisant, détergents concentrés, solvants ou tampons à récurer. Certains de ces produits chimiques/Articles peuvent endommager et/ou décolorer votre climatiseur.

3. Sécher soigneusement avec un chiffon doux.
4. Branchez ou rebranchez l'alimentation.

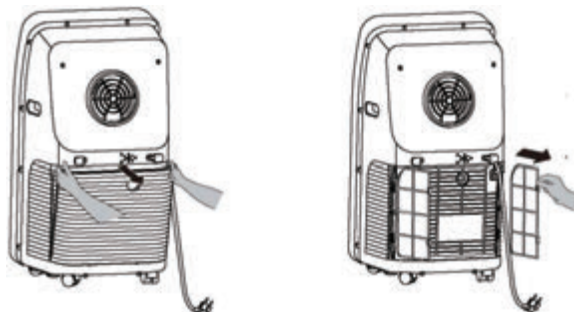
FILTRES À AIR

Le filtre à air doit être nettoyé au moins une fois par semaine pour que votre appareil fonctionne à une efficacité optimale

IMPORTANT : Ne pas utiliser le climatiseur sans filtre à air en place.

1. Débranchez ou débranchez l'alimentation.

2. Sortez la grille d'entrée d'air et sortez l'écran du filtre des deux côtés selon la direction indiquée dans les figures suivantes.



3. Mettre l'écran filtrant dans l'eau tiède (environ 40 °C) ajoutée avec un détergent neutre, le sécher à un endroit ombragé après le nettoyage.
4. Réinstaller les filtres
5. Branchez ou rebranchez l'alimentation.

STOCKAGE

Si l'appareil n'est pas utilisé pendant une longue période de temps:

1. Débranchez ou débranchez l'alimentation.
2. Égoutter l'eau du réservoir d'eau. Voir "entretien des climatiseurs".
3. Utilisez l'emballage d'origine pour remballer l'appareil afin d'éviter une accumulation de poussière ou de saleté.
4. Rangez l'air conditionné dans un endroit frais et sec.

DÉPANNAGE

Essayez d'abord les solutions suggérées ici pour éviter éventuellement le coût d'un appel de service.

PROBLÈMES	CAUSE	SOLUTION
L'A/C ne fonctionne pas	Ne pas brancher	Brancher
	Le panneau d'affichage affiche "FL"	Redémarrez l'A/C après la mise hors tension et le drainage, puis il deviendra normal
	La fonction de temps d'arrêt est démarrée	L'A/C peut être redémarré 3 minutes après avoir été éteint.
L'A/C démarre fréquemment	Exposé sous la lumière directe du soleil	Dessinez le rideau
	Portes et fenêtres ouvertes; Il ya beaucoup de gens ou source de chaleur dans la chambre	Fermez les portes et les fenêtres, enlevez la source de chaleur
	L'écran filtrant est très sale	Nettoyez ou remplacez-le
	L'entrée d'air ou la sortie d'air est bloquée.	Enlevez la tige
Grand bruit de l'A/C	Le a/C est placé de manière inégale	Placez-le au sol même et ferme, évitez de secouer
Le compresseur ne fonctionne pas	Sa protection contre les retards est lancée	Attendez 3min., allumez-le après que la température diminue

SPÉCIFICATION

RENSEIGNEMENTS IMPORTANTS CONCERNANT LE RÉFRIGÉRANT UTILISÉ

Ce produit contient le gaz R290, contenu dans un système hermétiquement scellé.

AM09AA2TAA/AM09AA2GAA

Charge = 0,235 kg,
GWP = 3,
Équivalent CO2 = 0.000705 tonalités

AM 12AA2TAA/AM12AA2GAA

Charge = 0,245 kg,
GWP = 3,
Équivalent CO2 = 0.000735 tonalités

REGLEMENTATION EUROPEENNE CONFORMITE AUX MODELES

WEEE

Conformément à la directive du Parlement européen, nous informons le consommateur des exigences en matière d'élimination des produits électriques et électroniques.

EXIGENCES D'ÉLIMINATION:



Votre produit de climatisation est marqué avec ce symbole. Cela signifie que les produits électriques et électroniques ne doivent pas être mélangés avec des déchets ménagers non triés. N'essayez pas de démonter le système vous-même: le démontage du système de climatisation, le traitement du réfrigérant, de l'huile et d'autres parties doivent être effectués par un installateur qualifié conformément à la législation locale et nationale en vigueur. Les climatiseurs doivent être traités dans un centre de traitement spécialisé pour la réutilisation, le recyclage et la récupération. En vous assurant que ce produit est éliminé correctement, vous contribuerez à prévenir les conséquences négatives potentielles sur l'environnement et la santé humaine. Veuillez contacter l'installateur ou l'autorité locale pour plus d'informations. La batterie doit être retirée de la télécommande et éliminée séparément conformément à la législation locale et nationale en vigueur.

Haier

Condizionatore D'aria Portatile

installazione e manuale d'uso

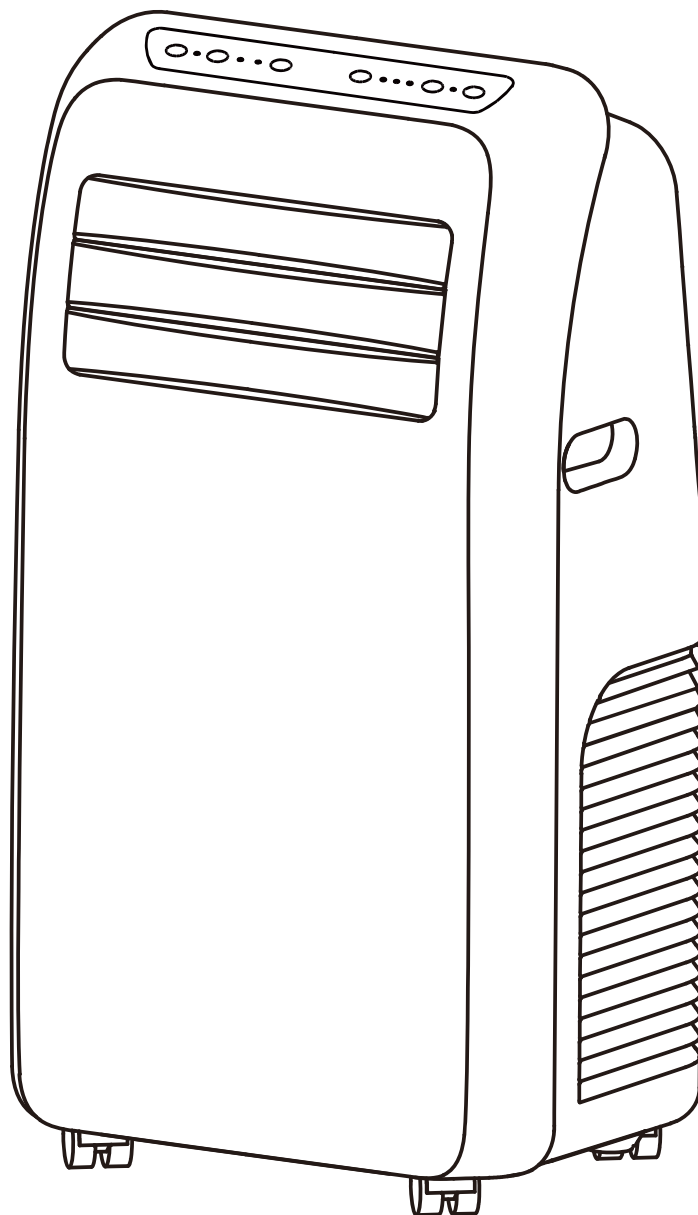
Modello:

AM09AA1TAA

AM12AA1TAA

AM09AA1GAA

AM12AA1GAA



La ringrazio molto per la selezione di questo nuovo modello di condizionatore d'aria portatile, leggere attentamente questo manuale di istruzioni prima di installare e utilizzare questo Apparecchio. Conservare correttamente questo manuale di istruzioni per eventuali riferimenti futuri.

TABELLA DEI CONTENUTI

SICUREZZA DELL'ARIA CONDIZIONATA	2
PARTI E CARATTERISTICHE	3
REQUISITI DI INSTALLAZIONE	3
Strumenti e Parti	3
Requisiti di Posizione	4
Requisiti Elettrici	4
ISTRUZIONI PER L'INSTALLAZIONE	5
Passo 1: Disimballare il Condizionatore d'Aria	5
Passo 2 : Installare l'Ugello Di Scarico Sul Pannello Della Finestra Principale	5
Passo 3: Collegare Il Gruppo Del Tubo Di Scarico Al Pannello Della Finestra	5&6
Passo 4: Collegare Il Tubo Di Scarico Al Condizionatore d'Aria	6
Passo 5: Installazione Completa	6
PANNELLO DI CONTROLLO	7
Pulsanti	7
Controllo Remoto	8
Spia	8
USO DEL CONDIZIONATORE D'ARIA	8
ISTRUZIONE DI DRENAGGIO	9
CURA DEL CONDIZIONATORE D'ARIA	10
Pulizia	10
Filtri dell'Aria	10
Serbatoio Dell'Acqua Interna	10
Conservazione	10
RISOLUZIONE DEI PROBLEMI	11
SPECIFICHE	12

MANTENIMENTO DI REGISTRAZIONE

Grazie per acquistare questo prodotto dei Dispositivi GE. Questo manuale utente ti aiuterà a ottenere le migliori prestazioni dal tuo nuovo climatizzatore.

Per riferimento futuro, registrare il modello e il numero di serie riportati sull'etichetta sul lato del condizionatore d'aria e la data di acquisto.

Mettere la prova di acquisto in questo manuale per aiutare a ottenere il servizio di garanzia, se necessario.

Numero di modello

Numero Di Serie

Data di acquisto

SICUREZZA DELL'ARIA CONDIZIONATA

La vostra sicurezza e la sicurezza degli altri sono molto importanti.

Abbiamo fornito molti messaggi importanti per la sicurezza in questo manuale e sul vostro apparecchio. Leggere sempre e seguire tutti i messaggi di sicurezza.



Questo è il simbolo di avviso di sicurezza.

Questo simbolo avverte di potenziali pericoli che possono uccidere o voi e gli altri feriti. Tutti i messaggi di sicurezza seguiranno il simbolo di allarme di sicurezza e la parola "PERICOLO", "AVVERTIMENTO" o "ATTENZIONE".

Queste parole significano:



La situazione di pericolo imminente. Si potrebbe essere morte o lesioni gravi se non si seguono le istruzioni immediatamente.



Una situazione potenzialmente pericolosa che, se non evitata, potrebbe causare la morte o gravi lesioni personali.



La situazione potenzialmente pericolosa che, se non evitata, può causare lesioni lievi.

Tutti i messaggi di sicurezza vi dirà quello che il potenziale pericolo è, vi dirà come ridurre il rischio di lesioni, e ti dirà cosa può accadere se le istruzioni non vengono seguite.

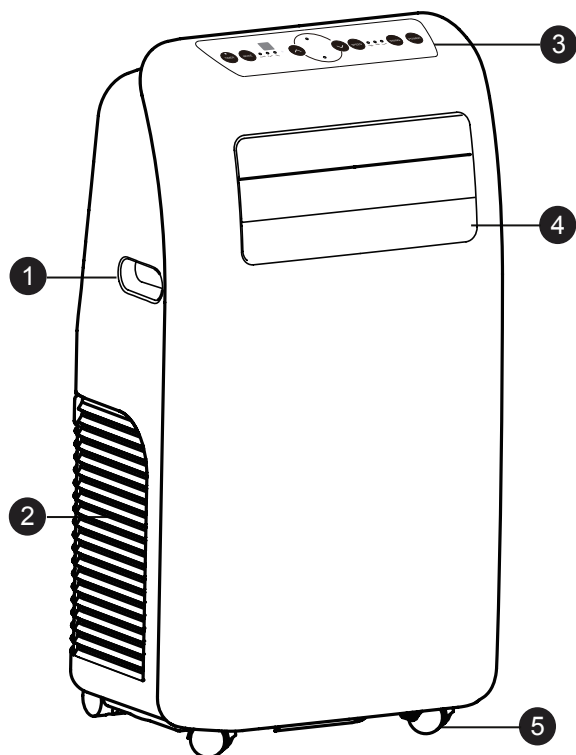
IMPORTANTI ISTRUZIONI DI SICUREZZA

AVVERTIMENTO: Per ridurre il rischio di incendi scosse elettriche, lesioni alle persone o danni quando si utilizza il condizionatore d'aria, seguire le precauzioni di base, incluse le seguenti:

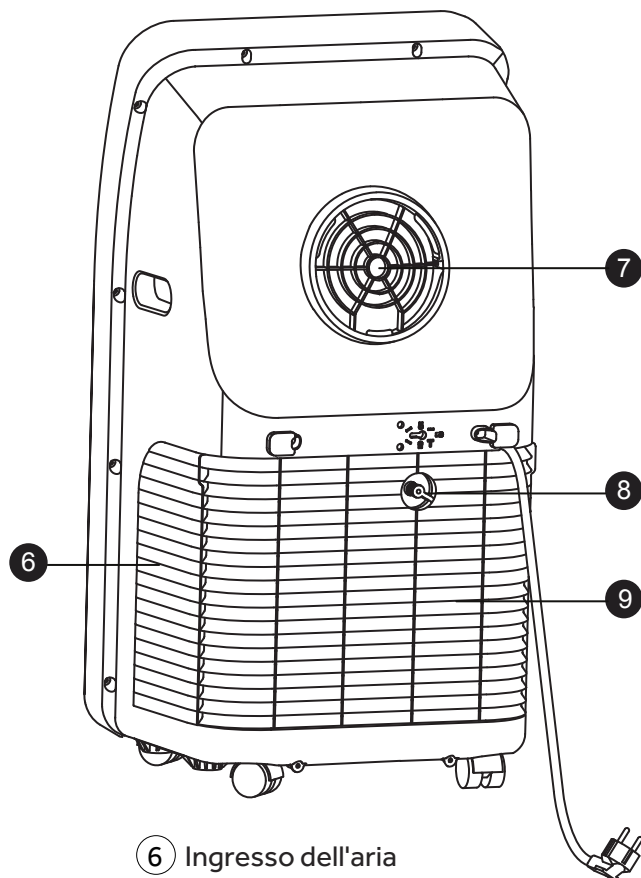
- Leggere tutte le istruzioni prima di utilizzare questo apparecchio.
- Collegare solo in una presa di terra.
- Non rimuovere i contatti di terra dal cavo di alimentazione.
- Non usare un adattatore.
- Non usare la prolunga.
- Non azionare il condizionatore d'aria se ha un cavo o la spina sono danneggiati, se non funziona correttamente, o se è stato danneggiato o è caduto.
- Il condizionatore d'aria deve essere eseguita solo da personale di assistenza qualificata. Chiamare una società di servizi autorizzato per l'esame, la riparazione o regolazione.
- Scollegare l'alimentazione prima della pulizia.
NOTA: Spegnimento alimentazione premendo il pulsante di accensione non scollega l'apparecchio dalla rete elettrica.
- Non installare o utilizzare il condizionatore d'aria nelle aree in cui l'atmosfera contiene gas combustibili o dove l'atmosfera è contaminato. Evitare di eventuali sostanze chimiche che entrano in contatto con il condizionatore d'aria.
- Non conservare nulla direttamente sulla parte superiore del condizionatore d'aria.
- Utilizzare due o più persone di circolare e di installare l'aria condizionata.
- Non usare mai il condizionatore senza il filtro a posto.
- Non usare il condizionatore d'aria in prossimità di un bacino di vasca da bagno, doccia o lavare o di altra area umida.

LEGGI E CONSERVA QUESTE ISTRUZIONI

PARTI E CARATTERISTICHE



- ① Maniglia
- ② Ingresso dell'aria
- ③ Pannello di controllo
- ④ Barra di guida del vento
- ⑤ Fonditore



- ⑥ Ingresso dell'aria
- ⑦ Presa d'aria
- ⑧ Ugello di drenaggio della deumidificazione
- ⑨ Griglia di entrata dell'aria

REQUISITI DI INSTALLAZIONE

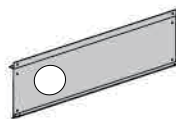
STRUMENTI E PARTI

Raccogliere gli strumenti e le parti necessari prima di iniziare l'installazione.

STRUMENTI NECESSARI

- Cacciavite a lama piatta

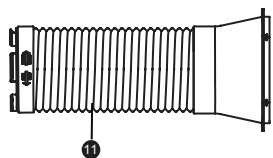
PARTI FORNITE



- Pannello della finestra principale



- Pannello di estensione



- Assemblaggio del tubo di scarico



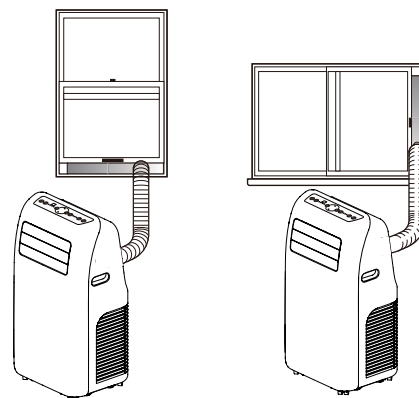
- Vite (2)
1 per pannelli di estensione
1 per ugello



- Telecomando per solo modello di raffreddamento



- Telecomando per modello di raffreddamento e riscaldamento



REQUISITI ELETTRICI

⚠ AVVERTIMENTO



Pericolo di scosse elettriche

- Collegare solo a una presa con messa a terra.
- Non rimuovere i contatti di messa a terra dalla spina del cavo di alimentazione.
- Non usare un adattatore.
- Non usare la prolunga.
- La mancata osservanza di queste istruzioni può provocare morte, incendio o scossa elettrica.

REQUISITI DI POSIZIONE

- Collocare il condizionatore d'aria su una superficie piana in un luogo distante almeno 51 cm da qualsiasi parete.
NOTA: Per garantire un flusso d'aria adeguato, è necessario mantenere uno spazio libero di 51 cm dal condizionatore alla parete
- Mantenere uno spazio minimo di 51 cm attorno al condizionatore per non ostruire il flusso d'aria
- Tenere il condizionatore d'aria libero da ostacoli quali tende, tende, tapparelle, ecc.
- Il tubo di scarico deve essere libero da qualsiasi ostruzione.
- Non posizionare il condizionatore d'aria su una superficie instabile o sollevata perché potrebbe cadere e causare danni o lesioni.
- Non posizionare il condizionatore d'aria alla luce diretta del sole o vicino a fonti di calore come stufe, lavabi, ecc.
- Il pannello della finestra può essere installato in una finestra con un minimo di 90 cm fino ad un'apertura massima di 130 cm.

CAVO DI ALIMENTAZIONE

Requisiti di cablaggio

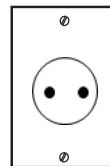
- Presa con messa a terra con fusibile da 230 Volt, 50 Hz, 16 amp
- Si consiglia l'utilizzo di un fusibile ritardato o di un interruttore di ritardo.
- Utilizzare solo un circuito dedicato.

NOTA: Non azionare altri apparecchi elettrici su questo circuito o è possibile far scattare l'interruttore / il fusibile.

Se questo cavo di alimentazione è danneggiato, non può essere riparato. Deve essere sostituito con un cavo dal produttore del prodotto.

METODO DI MESSA A TERRA RICHIESTO

Questo condizionatore d'aria deve essere collegato a terra. Il condizionatore d'aria è dotato di un cavo di alimentazione con spina di messa a terra. Il cavo di alimentazione deve essere collegato a una presa con messa a terra e collegato a terra in conformità con tutti i codici e le ordinanze locali.



230V
16 Amp

ISTRUZIONI PER L'INSTALLAZIONE

PASSO 1: DISIMBALLARE IL CONDIZIONATORE D'ARIA

⚠ AVVERTIMENTO

Pericolo eccessivo di peso

Utilizzare due o più persone per spostare e installare il condizionatore d'aria.

In caso contrario, si possono causare danni alla schiena o altri.

- Rimuovere i materiali di imballaggio. Conservare il cartone e l'imballaggio in schiuma per conservare il condizionatore d'aria quando non in uso.
NOTA: Non ci sono materiali di imballaggio all'interno del condizionatore per rimuovere: non aprire il cabinet.
- Smaltire / riciclare correttamente tutto il materiale di imballaggio.
- Maneggiare il condizionatore d'aria delicatamente.
- Mantenere il condizionatore d'aria in posizione verticale e livellato. Non posizionare il condizionatore d'aria su un lato, davanti, dietro o capovolto.

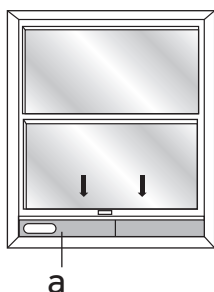
PASSO 2: INSTALLAZIONE DEL PANNELLO DELLA FINESTRA PRINCIPALE E DEI PANNELLI DI ESTENSIONE

NOTA: A seconda delle dimensioni dell'apertura della finestra, utilizzare il pannello principale e uno o entrambi i pannelli di estensione.

1. Aprire la finestra e posizionare il pannello della finestra principale nella finestra.

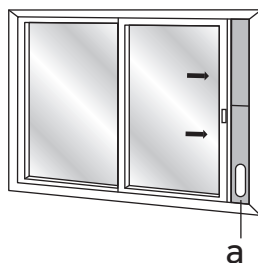
NOTA: Il gruppo finestra è progettato per ospitare una guida verticale o una finestra di scorrimento orizzontale.

Finestra Scorrimento Verticale



(A) Pannello della finestra principale

Finestra di diapositiva orizzontale



(A) Pannello della finestra principale

2. Regolare il pannello di estensione per adattarlo alla larghezza o all'altezza della finestra come mostrato.

NOTA: Alcune installazioni di finestre potrebbero richiedere che i pannelli di estensione vengano tagliati.

3. Utilizzare una vite piatta per fissare il pannello principale al pannello di estensione.

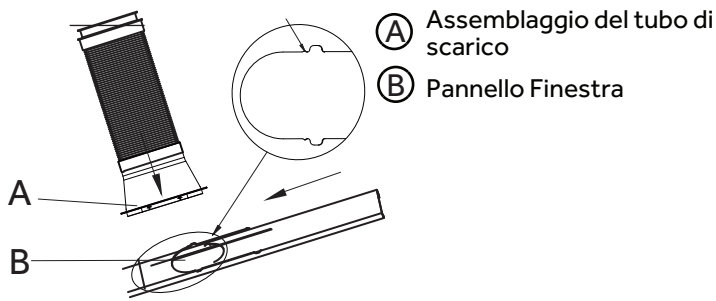


PASSO 3: COLLEGARE IL GRUPPO DEL TUBO DI SCARICO AL PANNELLO DELLA FINESTRA

1. Afferrare entrambe le estremità del tubo di scarico e tirare delicatamente per espandere il tubo.

NOTA: Non applicare tubi aggiuntivi per allungare la lunghezza. Ciò diminuirebbe l'efficienza di raffreddamento e potrebbe danneggiare il condizionatore d'aria.

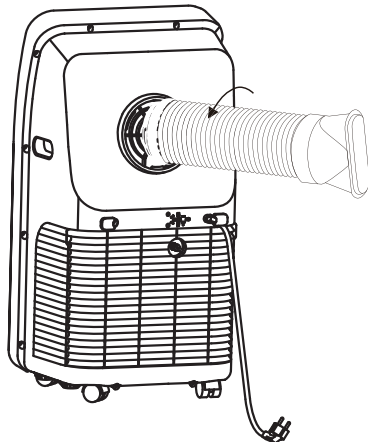
2. Inserire il tubo di scarico dell'aria nella piastra di tenuta della finestra, fissarlo con le viti



PASSO 4: COLLEGARE IL TUBO DI SCARICO AL CONDIZIONATORE D'ARIA

IMPORTANTE: Quando si collega il tubo, il condizionatore d'aria deve essere abbastanza vicino alla finestra da non staccare la piastra di tenuta della finestra. Una volta collegato il tubo, spostare il condizionatore d'aria a 51 cm dalla parete.

1. Align the notches on the connector end of the exhaust hose with the ridges in the opening on the back of the air conditioner.
2. Usando un movimento in senso antiorario, avvitare il tubo di scarico (estremità del connettore) nell'uscita dell'aria situata sul retro del condizionatore d'aria.



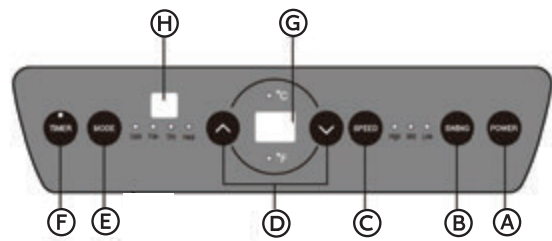
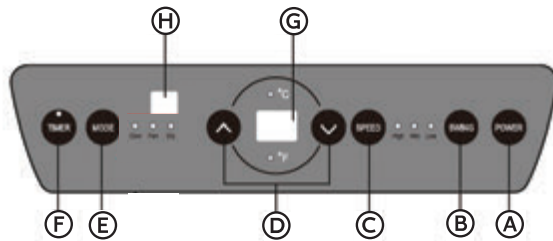
PASSO 5: INSTALLAZIONE COMPLETA

⚠ AVVERTIMENTO



Pericolo di scosse elettriche

Collegare solo a una presa con messa a terra.
 Non rimuovere i contatti di messa a terra dalla spina del cavo di alimentazione.
 Non usare un adattatore.
 Non usare la prolunga.
 La mancata osservanza di queste istruzioni può provocare morte, incendio o scossa elettrica.



PULSANTI:

(A) PULSANTE DI ACCENSIONE

Accende / spegne l'alimentazione del condizionatore d'aria.

NOTA: Spegnimento alimentazione premendo il pulsante di accensione non scollega l'apparecchio dalla rete elettrica.

(B) PULSANTE ALTALENA

Premere questo tasto in qualsiasi momento dopo aver acceso l'A / C per oscillare automaticamente la barra di guida del vento.

(C) PULSANTE DELLA VENTOLA

La velocità della ventola può essere regolata da Bassa velocità a Alta velocità quando il condizionatore d'aria è in funzione.

NOTA: La velocità della ventola non può essere regolata quando l'unità è in modalità Deum.

- Premere il pulsante Velocità ventola per alternare tra le due velocità. Il corrispondente indicatore della velocità del ventilatore si illuminerà.

(D) TASTI FRECCIA SU E GIÙ

Regola la temperatura o le ore nel tempo.

Per impostare la temperatura:

La temperatura può essere impostata tra 16 °C e 30 °C quando il condizionatore d'aria è in modalità Freddo.

1. Premere il pulsante Mode fino a selezionare la modalità Freddo.
2. Premere i pulsanti Freccia su o Freccia giù per selezionare la temperatura.

NOTA: La temperatura non può essere impostata quando il condizionatore d'aria è in modalità Ventola o Deum.

NOTA: I pulsanti Freccia su e Freccia giù, se premuti allo stesso tempo, consentono di selezionare tra la visualizzazione della temperatura in °C o °F. L'indicatore corrispondente si illuminerà.

(E) PULSANTE DI MODALITÀ

Premere il pulsante Modalità per alternare tra le opzioni operative. L'indicatore corrispondente si illuminerà.

Calore (su alcuni modelli) - Riscalda la stanza alla temperatura impostata

Freddo - raffredda la stanza alla temperatura impostata

Deum - Riduce l'umidità nella stanza

Ventola - Circola l'aria nella stanza senza raffreddamento

(F) PULSANTE DEL TIMER

Programmare un orario da (1 ora a 24 ore) affinché il condizionatore si spenga

Mentre il condizionatore è in funzione:

1. Premere il tasto Cronometro.
2. Premere i tasti freccia Su / Giù per selezionare il numero massimo di ore che il condizionatore d'aria di continuare ad operare prima dello spegnimento.

NOTA: Attendere circa 5 secondi per risparmiare tempo.

Quando il condizionatore è spento:

1. Premere il tasto Cronometro.
2. Premere i pulsanti freccia su / giù per selezionare il numero di ore in cui il condizionatore deve rimanere spento prima dell'accensione.

NOTA: Attendere circa 5 secondi per il tempo di accensione da salvare.

Per annullare il timer:

- Premere una volta il tasto del timer, le restanti ore lampeggia, premere nuovamente il pulsante del timer e il timer viene annullato.

(G) DISPLAY DEL PANNELLO DI CONTROLLO

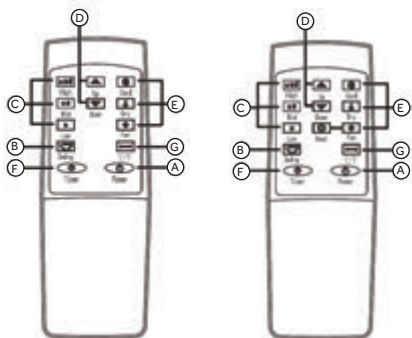
Consente di visualizzare la temperatura impostata in gradi Fahrenheit o Celsius gradi, o le ore rimanenti in un tempo di ritardo.

La spia corrispondente si accende.

(H) SEGNALE RICEZIONE SEGNALE CONTROLLO REMOTO

Puntare il telecomando verso la finestra in modo che il controllo riceve il segnale.

CONTROLLO REMOTO



1. Inserire le due batterie (acquistate dagli utenti).
2. Puntare il telecomando verso il ricevitore di segnale sul pannello di controllo per azionare il condizionatore d'aria.

(A) PULSANTE DI ACCENSIONE

Premere il tasto per accendere / spegnere l'A / C.

(B) TASTO ALTALENA

Premere questo tasto in qualsiasi momento dopo aver acceso l'A / C per oscillare automaticamente la barra di guida del vento.

(C) TASTO VELOCITÀ

Premere il tasto per scegliere ad alta bassa velocità del vento / marcia.

(D) TASTO DI REGOLAZIONE TEMPERATURA / TEMPO

Premere il tasto al modo per aumentare / diminuire la temperatura impostata di raffreddamento; premere in modalità di temporizzazione per regolare i tempi ON / OFF tempo; Premere SU e, contemporaneamente, per passare Fahrenheit e centigradi gradi di temperatura.

(E) TASTO MODALITÀ

Premere il tasto per scegliere di raffreddamento, ventilatore, deumidificazione e riscaldamento (solo per il raffreddamento e il modello di riscaldamento).

(F) TASTO TIMER

Premere il tasto in modalità standby per impostare l'ora ON. Premere questo tasto in modalità ON per impostare il tempo di spegnimento.

(G) °C / °F TASTO DI COMMUTAZIONE

Premere il tasto per cambiare °C e °F.

USO DEL CONDIZIONATORE D'ARIA

IMPORTANTE: Se il condizionatore d'aria è stato inclinato su un lato, attendere 24 ore prima di accendere il condizionatore per consentire all'olio di tornare al compressore. Ciò impedirà il malfunzionamento del condizionatore d'aria prematuramente.

- Lasciare 51 cm di spazio intorno all'unità per una corretta circolazione dell'aria.
- Non utilizzare il condizionatore d'aria senza filtro dell'aria in posizione.
- Non versare liquidi sul pannello di controllo; potrebbe causare un cortocircuito alle parti elettroniche interne che potrebbero disabilitarle o farle funzionare in modo improprio.
- Quando si accende il condizionatore d'aria per la prima volta dopo averlo collegato a una presa elettrica, l'unità si avvia in modalità di raffreddamento impostata a 22 °C e a velocità di ventilazione bassa. Il pannello di controllo visualizzerà la temperatura corrente della stanza.
- Quando si accende l'unità dopo l'uso precedente, si ricorderanno le ultime impostazioni utilizzate.
- Dopo un normale spegnimento, attendere 3 minuti prima di riavviare l'unità.
- In modalità di raffreddamento, questa unità non dovrebbe richiedere la rimozione dell'acqua. Questo modello ha un design unico che evapora continuamente l'acqua.
- Quando l'apparecchio viene fatto funzionare in condizioni di elevata umidità, può essere necessario svuotare periodicamente il serbatoio dell'acqua.
- L'unità si spegne automaticamente quando il serbatoio è pieno. L'indicatore completa acqua si illumina per avvisare l'utente di questa condizione.

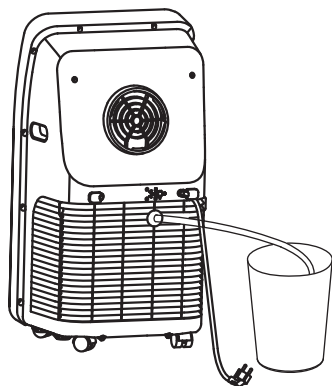
ISTRUZIONE DI DRENAGGIO

Ha due metodi di drenaggio che possono essere utilizzati: drenaggio manuale e drenaggio continuo.

SCARICO MANUALE

Questa unità è progettata con un efficiente sistema di auto-evaporazione e si suggerisce di utilizzare drenaggio manuale in raffreddamento. Condensa riciclerà nell'unità per raffreddare il condensatore e migliorare le prestazioni di raffreddamento. Il serbatoio dell'acqua nel telaio si riempirà e "FL" apparirà sul display a LED. Quando ciò accade, il serbatoio dell'acqua deve essere scaricato manualmente dalla porta di scarico inferiore.

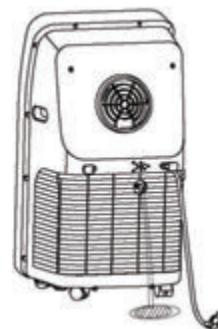
1. Mettere un vassoio poco profondo sotto la porta di scarico inferiore sul retro dell'unità.
2. Avvitare il coperchio luce di scarico e poi collegare diametro esterno del tubo di scarico in PVC 12 millimetri scarico fuori per consentire il flusso dell'acqua nel cuneo acqua.
3. Dopo che l'acqua ha smesso di scorrere, reinserire il tappo dell'acqua e avvitare saldamente il coperchio della porta di scarico sulla porta di drenaggio.



SCARICO CONTINUO

Si raccomanda di utilizzare questo metodo, e drenare dal porto scarico inferiore se l'unità viene utilizzata in modalità di riscaldamento, poiché il sistema di raffreddamento autonomo evaporativo non funziona in modalità di riscaldamento.

1. Svitare il coperchio della porta di drenaggio e rimuovere il tappo dell'acqua.
2. Collegare il foro di scarico con un tubo di scarico in PVC di diametro esterno da 12mm, inserito il più profondamente possibile per evitare perdite.
3. Tirare l'estremità del tubo di scarico in una presa di scarico all'interno della casa o all'esterno della casa.



NOTA:

- Il tubo di scarico deve essere installato prima unità inizia a lavorare.
- Il tubo di scarico deve essere disposto in modo che non possa essere accidentalmente acceduto durante il normale utilizzo. Dovrebbe anche essere posto il più diritta possibile, senza curve strette che potrebbero limitare la portata d'acqua. L'intero tubo di scarico deve essere mantenuta ad un livello inferiore a quello della luce di scarico.



AVVERTIMENTO

Azzardo Soffoco

Mantenere il coperchio di scarico e il tappo dell'acqua immagazzinati in modo sicuro, fuori dalla vista e dalla portata di neonati e bambini, quando è stato adottato un drenaggio continuo.

CURA DEL CONDIZIONATORE D'ARIA

⚠ AVVERTIMENTO



Pericolo di scosse elettriche

Scollegare l'alimentazione prima di pulirla.

In caso contrario, possono verificarsi morte o scosse elettriche.

PULIZIA

1. Scollegare o scollegare l'alimentazione.
2. Utilizzare solo un panno morbido inumidito con acqua per pulire l'armadio.

NOTA:

- Non utilizzare un liquido o spruzzare il detergente per pulire il condizionatore d'aria.
- NON usare prodotti chimici, abrasivi, ammoniaca, candeggina, detersivi concentrati, solventi o spugnette abrasive. Alcune di queste sostanze chimiche / articoli possono danneggiare e / o scolorire il condizionatore d'aria.

3. Asciugare accuratamente con un panno morbido.
4. Collegare o ricollegare l'alimentazione.

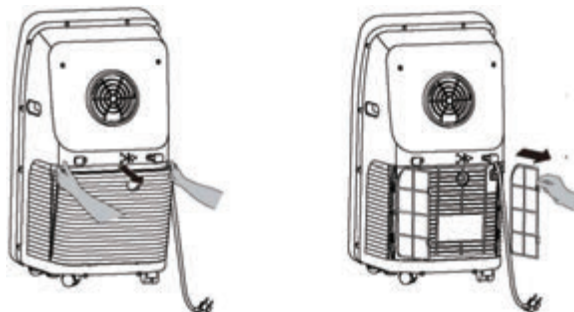
FILTRI DELL'ARIA

Il filtro dell'aria deve essere pulito almeno una volta alla settimana affinché l'unità funzioni in modo ottimale

IMPORTANTE: Non utilizzare il condizionatore d'aria senza filtro dell'aria in posizione.

1. Scollegare o scollegare l'alimentazione.

2. Estrarre la griglia di ingresso dell'aria ed estrarre il filtro schermo su entrambi i lati secondo la direzione indicata nelle figure seguenti.



3. Mettere schermata di filtro in acqua calda (circa 40 °C) addizionata di detersivo neutro, asciugarlo in un luogo ombreggiato dopo la pulizia.
4. Reinstallare i filtri
5. Collegare o ricollegare l'alimentazione.

CONSERVAZIONE

Se l'unità non viene utilizzata per un lungo periodo di tempo:

1. Scollegare o scollegare l'alimentazione.
2. Scaricare l'acqua dal serbatoio dell'acqua. Vedi "Cura del condizionatore d'aria".
3. Utilizzare l'imballaggio originale per reimballare l'unità per evitare l'accumulo di polvere o sporcizia.
4. Conservare il condizionatore d'aria in un luogo fresco e asciutto.

RISOLUZIONE DEI PROBLEMI

Prima prova le soluzioni suggerite qui per evitare eventualmente il costo di una chiamata di servizio.

PROBLEMA	CAUSA	SOLUZIONE
L'A / C non funziona	Non collegare	Collegare
	Il display mostra "FL"	Riavviare l'A / C dopo l'accensione o ff e drenante, poi diventerà normale
	La funzione Time OFF è iniziata	L'A / C può essere riavviato 3 minuti dopo essere svolta o ff.
L'A / C inizia frequentemente	Alla luce diretta del sole	Tira su la tenda.
	Porte e finestre rimangono aperte; ci sono molte persone o fonti di calore nella stanza	Chiudere porte e finestre, rimuovere fonte di calore
	La schermata del filtro è molto sporca	Pulirlo o sostituirlo
	La presa d'aria o l'uscita dell'aria sono bloccate	Rimuovere lo stelo
Grande rumore dell'A / C	L'A / C è posizionato in modo non uniforme	Posizionalo su un terreno uniforme e stabile, evitando di scuotere
Il compressore non funziona	La sua protezione del ritardo è iniziata	Attendere 3 minuti, accenderlo dopo che la temperatura è diminuita

SPECIFICHE

INFORMAZIONI IMPORTANTI REGARDING DEL REFRIGERANTE USATO

Questo prodotto contiene il gas fluorurato a effetto serra R290, contenuto in un sistema ermeticamente sigillato.

AM09AA2TAA/AM09AA2GAA

Carica = 0.235 kg,
GWP = 3,
CO2 Equivalente= 0.000705tonnellate

AM 12AA2TAA/AM12AA2GAA

Carica =0.245 kg,
GWP = 3,
CO2 Equivalente = 0.000735tonnellate

CONFORMITÀ DEI REGOLAMENTI EUROPEI PER I MODELLI

WEEE

In conformità con la direttiva 2012/19 / UE del Parlamento Europeo, con la presente si informa il consumatore sulle disposizioni dei requisiti dei prodotti elettrici ed elettronici.

REQUISITI DI SMALTIMENTO:



Il climatizzatore è contrassegnato con questo simbolo. Ciò significa che i prodotti elettrici ed elettronici non devono essere mescolati con i rifiuti domestici non differenziati. Non cercare di smontare il sistema da soli: lo smantellamento del sistema di aria condizionata, il recupero del refrigerante, di petrolio e di altre parti deve essere eseguita da un installatore qualificato in conformità alla legislazione locale e nazionale in materia. Condizionatori d'aria devono essere trattati in un impianto di trattamento specializzato per il riutilizzo, il riciclaggio e il recupero. Assicurandosi che questo prodotto sia smaltito correttamente, si contribuisce a prevenire potenziali conseguenze negative per l'ambiente e la salute umana. Si prega di contattare l'installatore o l'autorità locale per ulteriori informazioni. Batteria deve essere rimossa dal telecomando e di raccolta separata in conformità alla legislazione locale e nazionale vigente.

Haier

Tragbare Klimaanlage

Installation und Bedienungsanleitung

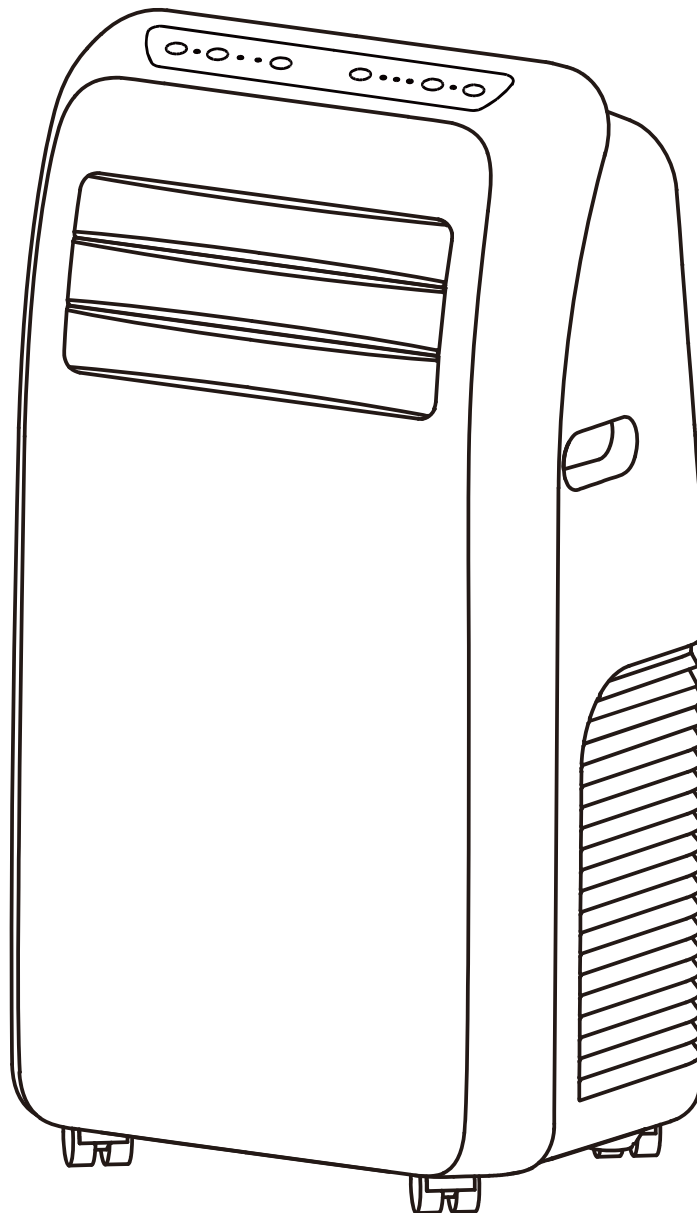
Modell:

AM09AA1TAA

AM12AA1TAA

AM09AA1GAA

AM12AA1GAA



Vielen Dank für die Auswahl dieses neuen Modells von Portable Air Conditioner,
Bitte lesen Sie dieses Bedienungsanleitung sorgfältig vor der Installation und Verwendung dieses
Appliance. Bitte halten Sie dieses Bedienungsanleitung für die zukünftige Referenz ordnungsgemäß bei.

INHALTSVERZEICHNIS

DIE SICHERHEIT VON KLIMAAANLAGEN	2
TEILE UND MERKMALE	3
INSTALLATIONSANFORDERUNGEN	3
Werkzeuge und Teile	3
Standortanforderungen	4
Elektrische Sicherheitsanforderungen	4
INSTALLATIONSANLEITUNG.....	5
Schritt 1 - Auspacken der Klimaanlage	5
Schritt 2 - Installieren der Auspuffdüse an der Hauptfenstertafel	5
Schritt 3 - Befestigen Sie die Auspuffanlage an der Fensterkonsole	5&6
Schritt 4 - Anschließen des Abluftschlauches an die Klimaanlage.....	6
Schritt 5 - Vollständige Installation.....	6
BEDIENFELD	7
Schaltflächen	7
Fernsteuerung	8
Kontrollleuchten	8
VERWENDUNG DER KLIMAAANLAGE	8
ENTWÄSSERUNGSANWEISUNG	9
PFLEGE DER KLIMAAANLAGE	10
Reinigung.....	10
Luftfilter	10
Interner Wassertank	10
Lagerung	10
PROBLEMLÖSUNG	11
SPEZIFIKATIONEN.....	12

PROTOKOLLIERUNG

Vielen Dank, dass Sie sich für dieses GE-Produkt entschieden haben. Diese Bedienungsanleitung hilft Ihnen, die beste Leistung Ihrer neuen Klimaanlage zu erzielen.

Zur späteren Verwendung notieren Sie sich die Modell- und Seriennummer auf dem Etikett auf der Seite Ihrer Klimaanlage und das Kaufdatum.

Heften Sie Ihren Kaufnachweis an dieses Handbuch, um bei Bedarf einen Garantie-Service in Anspruch zu nehmen.

Modellnummer

Ordnungsnummer

Kaufdatum

DIE SICHERHEIT VON KLIMAAANLAGEN

Deine Sicherheit und die Sicherheit anderer sind sehr wichtig.

Wir haben in diesem Handbuch und auf Ihrem Gerät viele wichtige Sicherheitshinweise gegeben. Lesen und befolgen Sie immer alle Sicherheitshinweise.



Dies ist das Sicherheitswarnsymbol.

Dieses Symbol weist Sie auf mögliche Gefahren hin, die Sie und andere töten oder verletzen können. Alle Sicherheitsmeldungen folgen dem Sicherheitswarnsymbol und entweder dem Wort "GEFAHR", "WARNUNG" oder "VORSICHT".

Diese Worte bedeuten:



Eine unmittelbar gefährliche Situation. Sie könnten getötet oder schwer verletzt werden, wenn Sie nicht sofort die Anweisungen befolgen.



Eine potenziell gefährliche Situation, die, wenn sie nicht vermieden wird, zum Tod oder zu schweren Körperverletzungen führen kann.



Eine potenziell gefährliche Situation, die, wenn sie nicht vermieden wird, zu mittleren oder leichten Verletzungen führen kann.

Alle Sicherheitsmeldungen sagen Ihnen, was die potenzielle Gefahr ist, wie Sie die Verletzungsgefahr verringern können und was passieren kann, wenn die Anweisungen nicht befolgt werden.

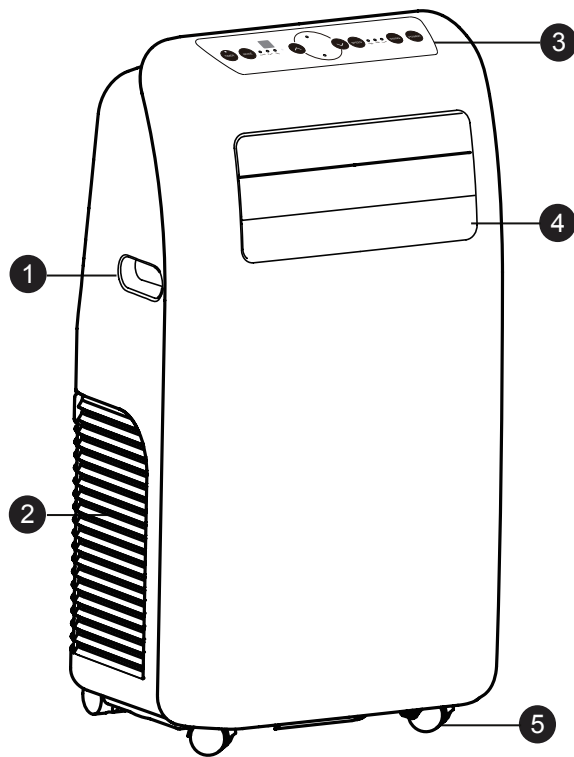
WICHTIGE SICHERHEITSHINWEISE

WARNUNG: Um das Risiko eines Stromschlags auf fire, einer Verletzung von Personen oder einer Beschädigung bei der Benutzung der Klimaanlage zu verringern, befolgen Sie die grundlegenden Vorsichtsmaßnahmen, einschließlich der folgenden:

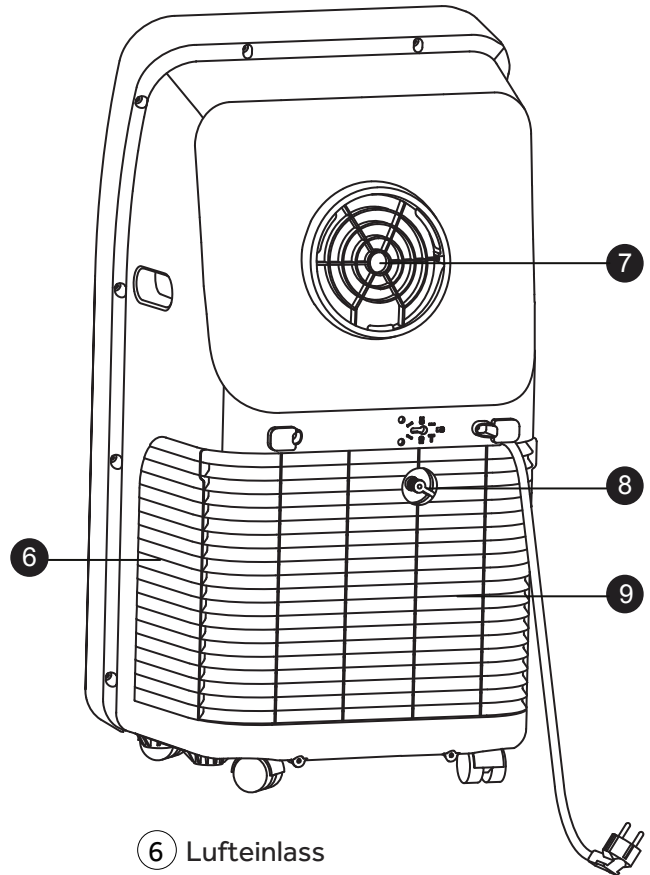
- Lesen Sie alle Anweisungen, bevor Sie dieses Gerät benutzen.
- Stecken Sie den Stecker nur in eine geerdete Steckdose.
- Entfernen Sie nicht die Erdungskontakte vom Netzkabelstecker.
- Verwenden Sie keinen Adapter.
- Verwenden Sie kein Verlängerungskabel.
- Betreiben Sie die Klimaanlage nicht, wenn sie ein beschädigtes Kabel oder einen beschädigten Stecker hat, wenn sie nicht ordnungsgemäß funktioniert, wenn sie beschädigt oder heruntergefallen ist.
- Die Klimaanlage darf nur von qualifiziertem Servicepersonal gewartet werden. Wenden Sie sich zur Überprüfung, Reparatur oder Anpassung an ein autorisiertes Servicebüro.
- Trennen Sie die Stromversorgung vor der Reinigung.
Bitte beachten Sie: Das Ausschalten der Stromversorgung durch Drücken der Power-Taste trennt das Gerät NICHT von der Stromversorgung.
- Installieren oder verwenden Sie die Klimaanlage nicht in Bereichen, in denen die Atmosphäre brennbare Gase enthält oder in denen die Atmosphäre verunreinigt ist. Vermeiden Sie alle Chemikalien, die mit Ihrer Klimaanlage in Berührung kommen.
- Lagern Sie nichts direkt auf der Oberseite der Klimaanlage.
- Verwenden Sie zwei oder mehr Personen, um die Klimaanlage zu bewegen und zu installieren.
- Betreiben Sie die Klimaanlage niemals ohne die Website filter.
- Verwenden Sie die Klimaanlage nicht in der Nähe einer Badewanne, Dusche oder Waschbecken oder eines anderen Nassbereichs.

DIESE ANLEITUNG LESEN UND SPEICHERN

TEILE UND MERKMALE



- ① Griff
- ② Lufteinlass
- ③ Bedienfeld
- ④ Windleitschiene
- ⑤ Nachlauf



- ⑥ Lufteinlass
- ⑦ Luftauslass
- ⑧ Entwässerungsdüse für Luftentfeuchtung
- ⑨ Lufteinlassgitter

INSTALLATIONSANFORDERUNGEN

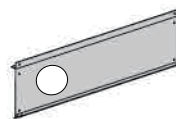
WERKZEUGE UND TEILE

Sammeln Sie die erforderlichen Werkzeuge und Teile, bevor Sie mit der Montage beginnen.

WERKZEUGE BENÖTIGT

- Flachklingen-Schraubendreher

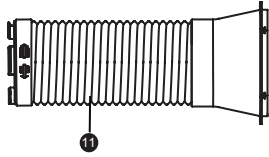
GELIEFERTE TEILE



- Hauptfenstertafel



- Erweiterungspanel



- Auspuffrohranordnung



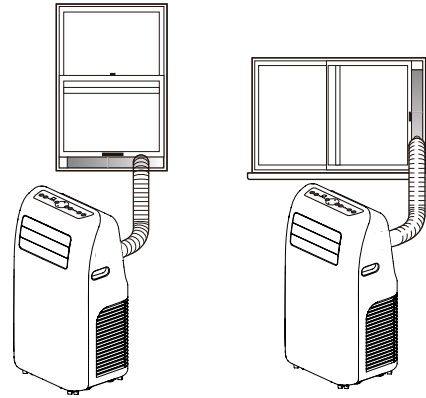
- Fernsteuerung für das Modell Nur Kühlen



- Schraube (2)
1 für Erweiterungspanels
1 für Düse



- Fernsteuerung für Kühl- und Heizmodell



ELEKTRISCHE SICHERHEITSAUFORDERUNGEN

⚠ WARNUNG



Stromschlaggefahr

- Stecken Sie den Stecker nur in eine geerdete Steckdose.
- Entfernen Sie nicht die Erdungskontakte vom Netzka-
belstecker.
- Verwenden Sie keinen Adapter.
- Verwenden Sie kein Verlängerungskabel.
- Die Nichtbeachtung dieser Anweisungen kann zum
Todesfall, Brand oder Stromschlag führen.

STANDORTANFORDERUNGEN

- Stellen Sie die Klimaanlage auf einer ebenen Ober-
fläche an einer Stelle, die mindestens 51 cm von
einer Wand entfernt ist.
Bitte beachten Sie: Ein Mindestabstand von 51 cm
von der Klimaanlage zur Wand muss eingehalten
werden, um die ordnungsgemäße Funktion zu
gewährleisten airflow
- Halten Sie einen Mindestabstand von 51 cm um die
Klimaanlage herum ein, um den Luftfluss nicht zu
behindern.
- Halten Sie die Klimaanlage frei von jeglichen
Hindernissen wie Vorhängen, Vorhängen, Jalousien
usw.
- Der Abluftschlauch sollte frei von jeglichen
Hindernissen sein.
- Stellen Sie die Klimaanlage nicht auf eine instabile
oder erhöhte Fläche, da sie herunterfallen und
Schäden oder Verletzungen verursachen könnte.
- Stellen Sie die Klimaanlage nicht in direktem
Sonnenlicht oder in der Nähe einer Wärmequelle wie
Fußbodenheizungen, Öfen, usw., auf.
- Die Fensterscheibe kann in ein Fenster mit einer
Öffnung von 90 cm bis maximal 130 cm eingebaut
werden.

DAS STROMKABEL IST NICHT ANGESCHLOSSEN.

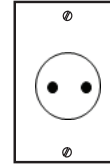
Kabelanforderungen

- 230 Volt, 50Hz, 16 Ampere, gesicherte geerdete
Steckdose
- Die Verwendung einer zeitverzögerten Sicherung oder
eines zeitverzögerten Trennschalters wird empfohlen.
- Verwenden Sie ausschliesslich eine dedizierte Schaltung.
Bitte beachten Sie: Betreiben Sie keine anderen
elektrischen Geräte an diesem Stromkreis oder Sie
selbst. kann den Leistungsschalter/Sicherung auslösen.

Sollte dieses Netzkabel beschädigt sein, kann es nicht
repariert werden. Es muss durch ein Kabel des Produkther-
stellers ersetzt werden.

ERFORDERLICHE ERDUNGSMETHODE

Diese Klimaanlage muss geerdet werden. Die Klimaanlage ist mit einem Netzkabel ausgestattet, das über einen Erdungsstecker verfügt. Das Stromversorgungskabel muss in eine Paarung gesteckt werden, in eine geerdete Steckdose gesteckt und in Übereinstimmung mit allen lokalen Codes und Verordnungen geerdet werden.



230V
16 Amp

INSTALLATIONSANLEITUNG

SCHRITT 1 - AUSPACKEN DER KLIMAANLAGE

⚠️ WARNUNG

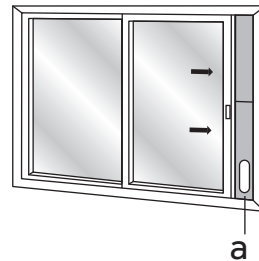
Übermäßiges Gewichtsrisiko

Verwenden Sie zwei oder mehr Personen, um die Klimaanlage zu bewegen und zu installieren.

Andernfalls kann es Rücken- oder andere Verletzungen verursachen.

- Entfernen Sie Verpackungsmaterialien. Bewahren Sie den Karton und die Schaumstoffverpackung zur Aufbewahrung der Klimaanlage bei Nichtgebrauch auf.
Bitte beachten Sie: Im Inneren der Klimaanlage befinden sich KEINE Verpackungsmaterialien zum Entfernen - Öffnen Sie den Schrank nicht.
- Entsorgen/Recyceln Sie das gesamte Verpackungsmaterial ordnungsgemäß.
- Gehen Sie vorsichtig mit der Klimaanlage um.
- Halten Sie die Klimaanlage aufrecht und waagrecht. Stellen Sie die Klimaanlage nicht auf die Seite, Vorderseite, Rückseite oder auf den Kopf.

Horizontales Schiebefenster



(A) Hauptfensterpanel

2. Passen Sie das Erweiterungspanel wie abgebildet an die Breite oder Höhe des Fensters an.

Bitte beachten Sie: Bei einigen Fensterinstallationen kann es erforderlich sein, die Verlängerungspanels zu beschneiden.

3. Verwenden Sie eine Flachschaube, um das Hauptpanel am Erweiterungspanel zu befestigen.



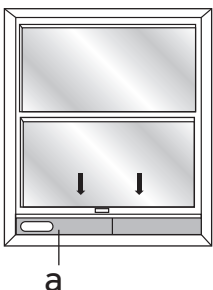
SCHRITT 2 - INSTALLATION DES HAUPTFENSTERPANELS UND DER ERWEITERUNGSPANELS

Bitte beachten Sie: Abhängig von der Größe Ihrer Fensteröffnung verwenden Sie das Hauptfenster und eines oder beide Erweiterungspanels.

1. Öffnen Sie das Fenster und platzieren Sie das Hauptfensterpanel in das Fenster.

Bitte beachten Sie: Die Fensteranordnung ist so konzipiert, dass sie entweder ein vertikales Schiebefenster oder ein horizontales Schiebefenster aufnehmen kann.

Vertikales Schiebefenster



(A) Hauptfensterpanel

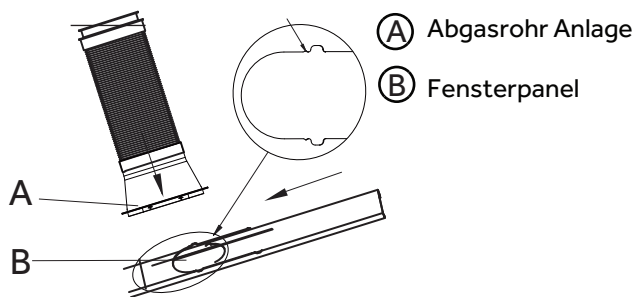
a

SCHRITT 3 - BEFESTIGEN SIE DIE AUSPUFFANLAGE AN DER FENSTERKONSOLE.

1. Greifen Sie beide Enden des Abluftschlauches und ziehen Sie vorsichtig, um den Schlauch aufzuweiten.

Bitte beachten Sie: Keine zusätzlichen Schläuche zur Verlängerung der Länge anbringen. Dies würde die Kühlungsleistung verringern und kann die Klimaanlage beschädigen.

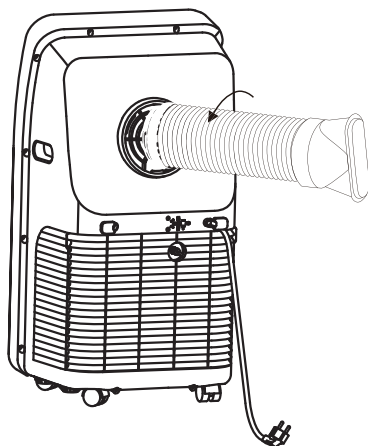
2. Den Abluftschlauch in die Fensterdichtungsplatte einführen, mit Schrauben befestigen.



SCHRITT 4 - ANSCHLIEßEN DES AB- LUFTSCHLAUCHES AN DIE KLIMAAN- LAGE

Wichtig: Beim Anschließen des Schlauches muss die Klimaanlage so nah am Fenster sein, dass Sie die Fensterdichtungssplatte nicht verschieben können. Sobald der Schlauch angeschlossen ist, verschieben Sie die Klimaanlage 51 cm von der Wand.

1. Richten Sie die Kerben am Anschlussende des Abgasschlauches mit den Stegen in der Öffnung auf der Rückseite der Klimaanlage aus.
2. Schrauben Sie den Abluftschlauch (Anschlussende) im Gegenuhrzeigersinn in den Luftauslass auf der Rückseite der Klimaanlage.



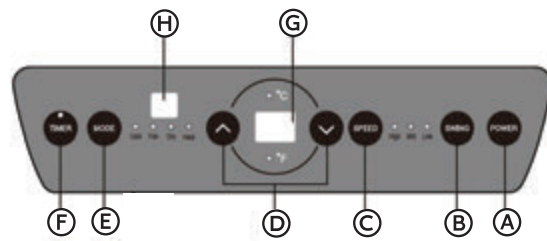
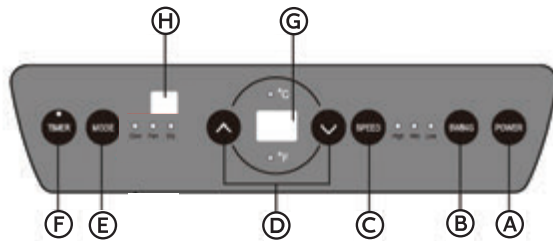
SCHRITT 5 - VOLLSTÄNDIGE INSTALLATION

⚠️ WARNUNG



Stromschlaggefahr

Stecken Sie den Stecker nur in eine geerdete Steckdose. Entfernen Sie nicht die Erdungskontakte vom Netzkabelstecker.
Verwenden Sie keinen Adapter.
Verwenden Sie kein Verlängerungskabel.
Die Nichtbeachtung dieser Anweisungen kann einen Todesfall, Brand oder Stromschlag verursachen.



SCHALTFLÄCHEN:

(A) NETZTASTE

Schaltet die Stromversorgung der Klimaanlage EIN/AUS.

Bitte beachten Sie: Das Ausschalten der Stromversorgung durch Drücken der Power-Taste trennt das Gerät NICHT von der Stromversorgung.

(B) SWING-TASTE

Drücken Sie diese Taste jederzeit nach dem Einschalten der Klimaanlage, um die Windleitschiene automatisch zu schwenken.

(C) VENTILATORENDREHZAHL-TASTE

Die Ventilatorendrehzahl kann von niedrig auf hoch eingestellt werden, wenn die Klimaanlage in Betrieb ist.

Bitte beachten Sie: Ventilatorendrehzahl kann nicht angepasst werden, wenn sich das Gerät im Luftentfeuchtungs-Modus befindet.

- Drücken Sie die Ventilatorendrehzahl-Taste, um zwischen den drei Geschwindigkeiten umzuschalten. Die entsprechende Ventilatorendrehzahlanzeige leuchtet auf.

(D) AUF- UND AB-PFEILTASTEN

Stellt die Temperatur oder die Stunden der Zeitverzögerung ein.

Zum Einstellen der Temperatur:

Die Temperatur kann innerhalb des Bereichs 16 °C und 30 °C eingestellt werden, wenn sich die Klimaanlage im Kühlmodus befindet.

1. Drücken Sie die Modus-Taste, bis der Kühlmodus ausgewählt ist.
2. Drücken Sie die Auf- und Ab-Pfeiltasten, um die Temperatur auszuwählen.

Bitte beachten Sie: Die Temperatur kann nicht eingestellt werden, wenn sich die Klimaanlage entweder im Lüfter- oder im Luftentfeuchter-Modus befindet.

Bitte beachten Sie: Beim gleichzeitigen Drücken der Auf- und Ab-Pfeiltasten können Sie wählen, ob Sie die Temperatur in °C oder °F anzeigen möchten. Die entsprechende Anzeige leuchtet auf.

(E) MODUS-TASTE

Drücken Sie die Modus-Taste, um zwischen den Betriebsoptionen umzuschalten. Die entsprechende Anzeige leuchtet auf:

- Wärme (bei einigen Modellen) - Erwärmt den Raum auf die eingestellte Temperatur.
- Kühlen - Kühlt den Raum auf die eingestellte Temperatur.
- Luftentfeuchtung - Reduziert die Luftfeuchtigkeit im Raum
- Ventilator - Ventiliert die Luft im Raum, ohne zu kühlen

(F) TIMER-TASTE

Programmieren Sie einen Zeitraum von (1 Stunde bis 24 Stunden), während der die Klimaanlage ausgeschaltet wird.

Während die Klimaanlage in Betrieb ist:

1. Drücken Sie die Timer-Taste.
2. Drücken Sie die Auf- und Ab-Pfeiltasten, um die Anzahl der Stunden auszuwählen, während der die Klimaanlage weiter betrieben werden soll, bevor sie ausschaltet.

Bitte beachten Sie: Warten Sie ca. 5 Sekunden, bis die Abschaltzeit gespeichert ist.

Während die Klimaanlage ausgeschaltet ist:

1. Drücken Sie die Timer-Taste.
2. Drücken Sie die Auf- und Ab-Pfeiltasten, um die Anzahl der Stunden auszuwählen, während der die Klimaanlage ausgeschaltet bleiben soll, bevor sie sich wieder einschaltet.

Bitte beachten Sie: Warten Sie ca. 5 Sekunden, bis die Einschaltzeit gespeichert ist.

Deaktivierung des Timers:

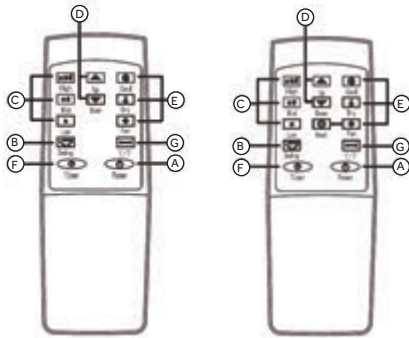
- Drücken Sie die Timertaste einmal, die verbleibenden Stunden blinken, drücken Sie die Timertaste erneut und der Timer wird deaktiviert.

(G) BEDIENFELDDANZEIGE

Zeigt die eingestellte Temperatur in Grad Fahrenheit oder Grad Celsius oder die verbleibenden Stunden einer Zeitverzögerung an. Die entsprechende Kontrollleuchte leuchtet auf.

(H) FERNSTEUERUNGSSIGNAL-EMPFANGSFENSTER

Richten Sie die Fernsteuerung auf dieses Fenster, damit die Steuerung das Signal empfängt.



1. Setzen Sie die zwei Batterien ein (vom Anwender gekauft).
2. Richten Sie die Fernsteuerung auf den Signalempfänger auf dem Bedienfeld, um die Klimaanlage zu steuern.

(A) NETZ-TASTE

Drücken Sie die Taste, um die Klimaanlage EIN/AUS zu schalten.

(B) SWING-TASTE

Drücken Sie diese Taste jederzeit nach dem Einschalten der Klimaanlage, um die Windleitschiene automatisch zu schwenken.

(C) GESCHWINDIGKEITSTASTE

Drücken Sie die Taste, um die Windgeschwindigkeit für den hohen/niedrigen Gang auszuwählen.

(D) TEMPERATUR/ TIMER-EINSTELLUNGSTASTE

Drücken Sie die Taste im Kühlmodus, um die eingestellte Temperatur zu erhöhen/verringern; drücken Sie sie im Zeitmodus, um die EIN/AUS-Zeit einzustellen; drücken Sie die Aufwärts- und Abwärtstasten gleichzeitig, um zwischen Fahrenheit und Celsius-Grad-Temperatur zu schalten..

(E) MODUS-TASTE

Drücken Sie die Taste, um Kühlen, Lüften, Entfeuchten und Heizen auszuwählen (nur für Kühl- und Heiz-Modelle).

(F) TIMER-TASTE

Drücken Sie die Taste im Standby-Modus, um die Einschaltzeit einzustellen. Drücken Sie diese Taste im EIN-Modus, um die Ausschaltzeit einzustellen.

(G) °C / °F SWITCHING-TASTE

Drücken Sie die Taste, um zwischen °C and °F zu schalten.

VERWENDUNG DER KLIMAAANLAGE

Wichtig: Falls die Klimaanlage auf der Seite gekippt wurde, warten Sie 24 Stunden, bevor Sie die Klimaanlage einschalten, damit das Öl zum Kompressor zurückfließen kann. Dadurch wird verhindert, dass die Klimaanlage vorzeitig ausfällt.

- Lassen Sie 51 cm Abstand um das Gerät herum für eine ordnungsgemäße Luftzirkulation.
- Betreiben Sie die Klimaanlage nicht ohne installierten Luftfilter.
- Verschütten Sie keine Flüssigkeit auf das Bedienfeld, da dies zu einem elektrischen Kurzschluss an den elektronischen Innenteilen führen kann, der diese entweder deaktivieren oder deren Fehlfunktion verursachen würde.
- Wenn Sie die Klimaanlage zum ersten Mal einschalten, nachdem Sie sie an eine Steckdose angeschlossen haben, startet das Gerät im Kühlmodus, der auf 22°C eingestellt ist, und bei niedriger Lüfterdrehzahl. Auf dem Bedienfeld wird die aktuelle Raumtemperatur angezeigt.

- Wenn Sie das Gerät nach der vorherigen Verwendung einschalten, werden die zuletzt verwendeten Einstellungen gespeichert.
- Nach einer normalen Abschaltung warten Sie bitte 3 Minuten, bevor Sie das Gerät neu starten.
- Im Kühlmodus sollte dieses Gerät kein Wasser entfernen müssen. Dieses Modell hat ein einzigartiges Design, welches das Wasser kontinuierlich verdampft.
- Fall das Gerät unter Bedingungen mit hoher Luftfeuchtigkeit betrieben wird, müssen Sie den Wassertank möglicherweise regelmäßig entleeren.
- Das Gerät schaltet sich automatisch ab, sobald der Wassertank voll ist. Die "Wassertank-Voll" -Anzeige leuchtet auf, um Sie auf diesen Zustand hinzuweisen.

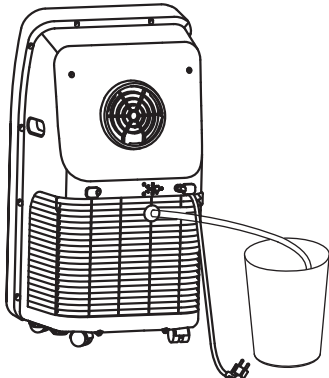
ENTWÄSSERUNGSANWEISUNG

Es verfügt auch über zwei Entwässerungsmethoden, die angewendet werden können - der manuelle Abfluss und der kontinuierliche Abfluss.

MANUELLER ABFLUSS

Dieses Gerät ist mit einem hocheffizienten selbstverdampfenden System ausgestattet und es wird empfohlen, den manuellen Abfluss im Kühlbetrieb zu verwenden. Das Kondensat wird im Gerät aufbereitet, um den Kondensator zu kühlen und die Kühlleistung zu verbessern. Bei extremer Luftfeuchtigkeit füllt sich der Wassertank im Chassis und "FL" erscheint auf der LED-Anzeige. In diesem Fall muss der Wassertank manuell anhand der unteren Ablassöffnung entleert werden.

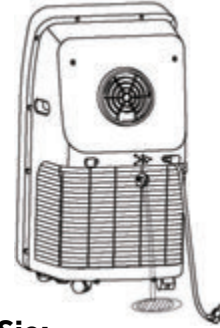
1. Legen Sie einen Wasserkeil unter die obere Abflussöffnung auf der Rückseite des Gerätes.
2. Schrauben Sie die Abdeckung der Abflussöffnung ab und schließen Sie dann den Abflussschlauch aus PVC mit 12 mm Außendurchmesser an, damit das Wasser in den Wasserkeil fließen kann.
3. Nachdem das Wasser nicht mehr fließt, stecken Sie den Wasserstopper wieder ein und schrauben Sie die Abdeckung der Abflussöffnung wieder fest auf die Ablauföffnung.



KONTINUIERLICHER ABFLUSS

Wir empfehlen dringend, diese Methode zu verwenden und aus der unteren Abflussöffnung zu entleeren, wenn das Gerät im Heizmodus verwendet wird, da das selbstverdunstende Kühlsystem im Heizmodus nicht funktioniert.

1. Schrauben Sie die Abdeckung der Abflussöffnung ab und entfernen Sie das Wasser.
2. Verbinden Sie die Abflussöffnung mit einem PVC-Abflussschlauch mit einem Innendurchmesser von 12 mm, der so tief wie möglich eingeführt wird, um Undichtigkeiten zu vermeiden.
3. Ziehen Sie das Ende des Abflussschlauches bis zu einem Abfluss innerhalb des Hauses oder ausserhalb des Hauses.



Bitte beachten Sie:

- Der Abflussschlauch muss vor Beginn der Arbeiten am Gerät installiert werden.
- Der Abflussschlauch sollte so verlegt werden, dass er bei normalem Gebrauch nicht versehentlich zugänglich ist. Es sollte auch so gerade wie möglich verlegt werden, ohne scharfe Biegungen, die den Wasserdurchfluss einschränken würden. Der gesamte Ablaufschlauch sollte ebenfalls auf einem Niveau unterhalb der Entleerungsöffnung gehalten werden.

⚠️ WARNUNG

Erstickungsgefahr

Bewahren Sie die Abflussbedeckung und den Wasserstopper sicher auf, außer Sichtweite und Reichweite von Säuglingen und Kindern, wenn ein kontinuierlicher Abfluss durchgeführt wird.

PFLEGE DER KLIMAAANLAGE

⚠️ WARNUNG



Stromschlaggefahr

Trennen Sie die Stromversorgung vor der Reinigung. Die Nichtbeachtung dieser Regel kann Todesfälle oder Stromschläge verursachen.

REINIGUNG

1. Ziehen Sie den Netzstecker oder trennen Sie die Stromversorgung.
2. Verwenden Sie zur Reinigung des Gehäuses nur ein weiches, mit Wasser befeuchtetes Tuch.

Bitte beachten Sie:

- Verwenden Sie zur Reinigung der Klimaanlage keine Flüssigkeiten oder Sprühreiniger.
- Verwenden Sie KEINE Chemikalien, Scheuermittel, Ammoniak, Chlorbleiche, konzentrierte Reinigungsmittel, Lösungsmittel oder Scheuerschwämme. Einige dieser Chemikalien/Elemente können Ihre Klimaanlage beschädigen und/oder verfärben.

3. Mit einem weichen Tuch gründlich trocknen.
4. Verbinden Sie den Netzstecker oder schalten Sie die Stromversorgung wieder ein.

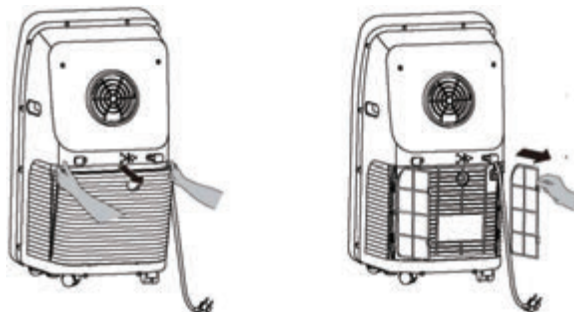
LUFTFILTER

Der Luftfilter sollte mindestens einmal pro Woche gereinigt werden, damit Ihr Gerät optimal funktioniert.

Wichtig: Betreiben Sie die Klimaanlage nicht ohne installierten Luftfilter.

1. Ziehen Sie den Netzstecker oder trennen Sie die Stromversorgung.

2. Nehmen Sie das Lufterlassgitter heraus und ziehen Sie das Filtersieb auf beiden Seiten gemäß der in den folgenden Abbildungen dargestellten Richtung heraus.



3. Legen Sie das Filtersieb in das warme Wasser (ca. 40 °C) mit neutralem Reinigungsmittel und trocknen Sie es nach der Reinigung an einem schattigen Ort.
4. Installieren Sie die Filter wieder.
5. Verbinden Sie den Netzstecker oder schalten Sie die Stromversorgung wieder ein.

LAGERUNG

Wenn das Gerät längere Zeit nicht verwendet wird:

1. Ziehen Sie den Netzstecker oder trennen Sie die Stromversorgung.
2. Entleeren Sie das Wasser aus dem Wassertank. Siehe "Pflege der Klimaanlage."
3. Verwenden Sie die Originalverpackung, um das Gerät wieder zu verpacken, damit sich kein Staub oder Schmutz ansammelt.
4. Lagern Sie die Klimaanlage an einem kühlen, trockenen Ort.

PROBLEMLÖSUNG

Versuchen Sie zunächst die hier vorgeschlagenen Lösungen, um die Kosten für einen Serviceanruf zu vermeiden.

PROBLEM	URSACHE	LÖSUNG
Die Klimaanlage funktioniert nicht.	Netzstecker getrennt	Netzstecker verbinden
	Auf dem Display wird "FL" angezeigt.	Starten Sie die Klimaanlage nach dem Trennen der Stromversorgung und dem Entleeren neu, dann normalisiert sich die Situation.
	Timer-Aus-Funktion wurde gestartet	Die Klimaanlage kann 3 Minuten nach dem Abschalten neu gestartet werden.
Die Klimaanlage startet häufig.	Under direkter Sonneneinstrahlung	Ziehen Sie den Vorhang zu
	Türen und Fenster bleiben offen; es befinden sich im Raum viele Menschen oder Wärmequellen.	Türen und Fenster schließen, Wärmequelle entfernen
	Der Filtersieb ist stark verschmutzt.	Reinigen oder ersetzen Sie es.
	Der Lufteinlass oder Luftauslass ist blockiert	Entfernen Sie den Stiel
Die Klimaanlage ist sehr geräuschvoll.	Die Klimaanlage steht auf einer unebenen Fläche.	Stellen Sie es auf eine ebene Fläche und festem Boden. Vermeiden Sie Erschütterungen.
Der Kompressor funktioniert nicht.	Der Verzögerungsschutz wird gestartet.	Warten Sie 3 Minuten, schalten Sie es ein, sobald die Temperatur sinkt.

SPEZIFIKATIONEN

WICHTIGE INFORMATIONEN BEZÜGLICH DES VERWENDETEN KÄLTEMITTELS

Dieses Produkt enthält das Gas R290, das in einem hermetisch abgeschlossenen System enthalten ist.

AM09AA2TAA/AM09AA2GAA

Beladung = 0,235 kg,
GWP = 3,
CO₂ Gegenwert = 0,000705 Tonnen

AM 12AA2TAA/AM12AA2GAA

Beladung = 0,245 kg,
GWP = 3,
CO₂ Gegenwert = 0,000735 Tonnen

KONFORMITÄT MIT DEN EU- ROPÄISCHEN VORSCHRIFTEN FÜR DIE MODELLE

WEEE

In Übereinstimmung mit der Richtlinie des Europäischen Parlaments informieren wir hiermit den Verbraucher über die Entsorgungsbestimmungen von elektrischen und elektronischen Geräten.

ENTSORGUNGSBESTIMMUNGEN:



Ihre Klimaanlage ist mit diesem Symbol gekennzeichnet. Dies bedeutet, dass elektrische und elektronische Geräte nicht zusammen mit herkömmlichem Hausmüll entsorgt werden dürfen. Versuchen Sie nicht, das System selbst zu demontieren: Die Demontage der Klimaanlage, die Entsorgung des Kältemittels, des Öls und anderer Teile muss von einem qualifizierten Installateur in Übereinstimmung mit den geltenden lokalen und nationalen Vorschriften durchgeführt werden. Klimaanlagen müssen in einer auf Wiederverwendung, Recycling und Rückgewinnung spezialisierten Einrichtung entsorgt werden. Indem Sie sicherstellen, dass dieses Produkt ordnungsgemäß entsorgt wird, tragen Sie dazu bei, mögliche negative Folgen für die Umwelt und die menschliche Gesundheit zu vermeiden. Bitte kontaktieren Sie den Installateur oder die lokalen Behörden für weitere Informationen. Die Batterie muss der Fernbedienung entnommen und gemäß den entsprechenden lokalen und nationalen Bestimmungen separat entsorgt werden.

Haier

Draagbare airconditioner

installatie en gebruikershandleiding

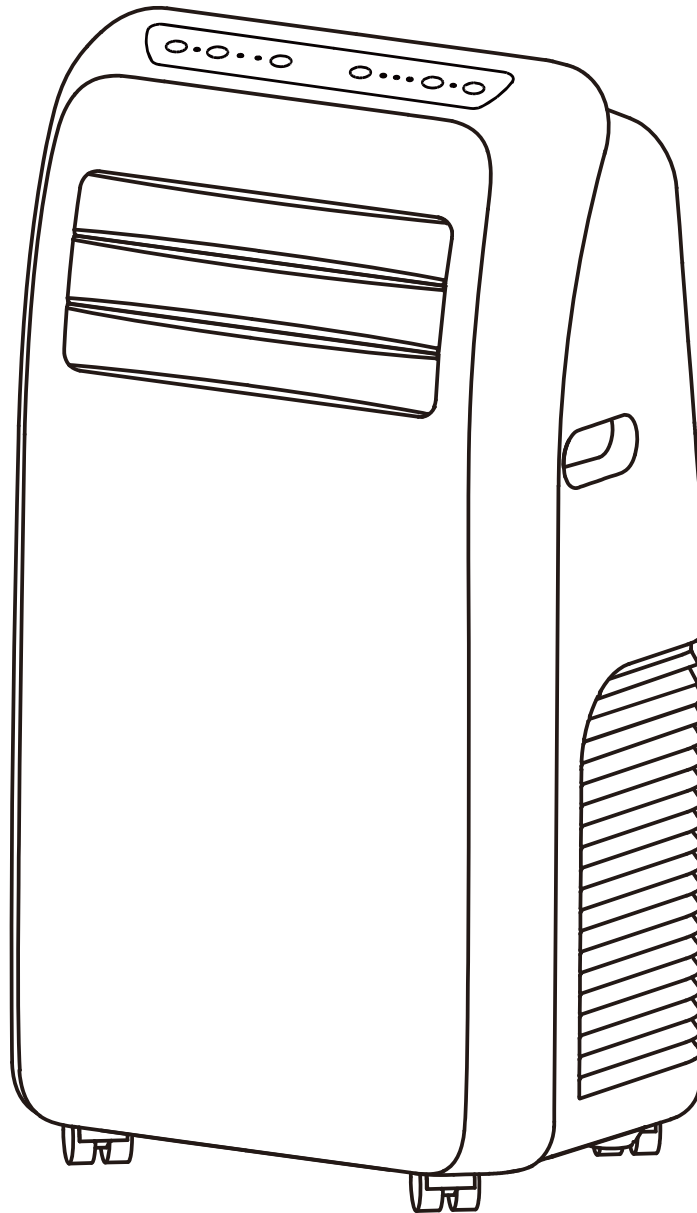
Model:

AM09AA1TAA

AM12AA1TAA

AM09AA1GAA

AM12AA1GAA



Hartelijk dank voor het selecteren van dit nieuwe model van draagbare airconditioner,
Lees deze gebruiksaanwijzing aandachtig door voordat u deze toestel.
Houd deze handleiding goed voor toekomstig gebruik.

INHOUDSOPGAVE

VEILIGHEID VAN DE AIRCONDITIONER	2
ONDERDELEN EN FUNCTIES	3
INSTALLATIEVEREISTEN	3
Gereedschappen en onderdelen.....	3
Locatievereisten	4
Elektrische vereisten	4
INSTALLATIE-INSTRUCTIES	5
Stap 1-uitpakken Air Conditioner	5
Stap 2-Installeer uitlaat nozzle naar hoofdvenster paneel	5
Stap 3-Bevestig uitlaatpijp assemblage aan het venster paneel	5&6
Stap 4-Sluit de Uitlaatslang aan op de airconditioner.....	6
Stap 5-Volledige installatie	6
CONFIGURATIESCHERM	7
Knoppen	7
Afstandsbediening	8
Indicatielampjes	8
AIR CONDITIONER GEBRUIK	8
DRAINAGE INSTRUCTIE	9
AIR CONDITIONER ZORG.....	10
Reiniging.....	10
Lucht filters.....	10
Interne water tank	10
Opslag.....	10
PROBLEEMOPLOSSEN.....	11
SECIICATION	12

RECORD HOUDEN

Bedankt voor het aanschaffen van dit GE-product. Deze handleiding zal u helpen om de beste prestaties van uw nieuwe airconditioner.

Voor toekomstig referentie, registreert het model en het serienummer dat op het etiket op de kant van uw airconditioner wordt gevestigd, en de datum van aankoop.

Ontkoppel uw aankoopbewijs in deze handleiding om zo nodig garantieservice te krijgen.

Model nummer

Serienummer

Datum van aankoop

VEILIGHEID VAN DE AIRCONDITIONER

Uw veiligheid en de veiligheid van anderen zijn zeer belangrijk.

Wij hebben in deze handleiding en op uw toestel veel belangrijke veiligheids boodschappen geleverd. Lees en gehoorzaam altijd alle veiligheids boodschappen.



Dit is het waarschuwingssymbool voor de veiligheid.

Dit symbool waarschuwt u voor mogelijke gevaren die u en anderen kunnen doden of kwetsen. Alle veiligheids boodschappen volgen het veiligheids waarschuwingssymbool en het woord "gevaar", "waarschuwing" of "VOORZICHTIGheid".

Deze woorden betekenen:



Een dreigende gevaarlijke situatie. Je zou kunnen worden gedood of ernstig gewond als je niet onmiddellijk Volg de instructies.



Een potentieel gevaarlijke situatie die, indien niet vermeden, kan leiden tot overlijden of ernstig lichamelijk letsel.



Een potentieel gevaarlijke situatie die, indien niet vermeden, kan leiden tot matige of kleine verwondingen.

Alle veiligheidsberichten zullen u vertellen wat het potentiële gevaar is, u vertellen hoe u de kans op letsel te verminderen, en u vertellen wat er kan gebeuren als de instructies niet worden gevolgd.

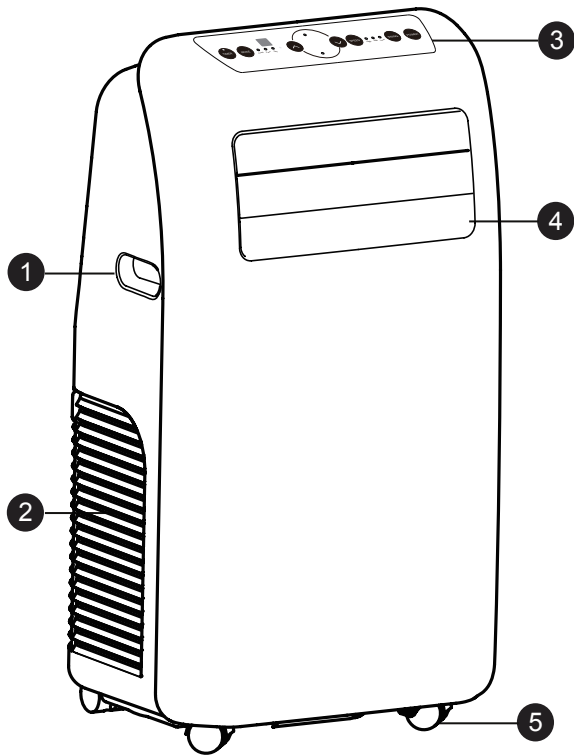
BELANGRIJKE VEILIGHEIDSINSTRUCTIES

WAARSCHUWING: Om het risico van fire elektrische schokken, letsel aan personen, of schade bij het gebruik van de airconditioner, volg elementaire voorzorgsmaatregelen, waaronder de volgende:

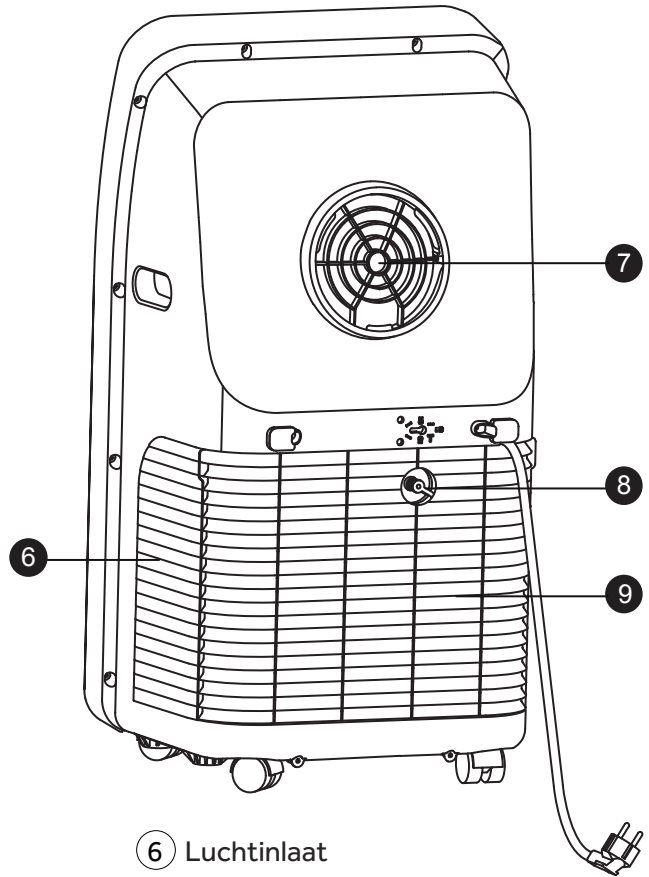
- Lees alle instructies voordat u dit toestel gebruikt.
- Steek de stekker alleen in een geaard stopcontact.
- Verwijder de grond contacten niet uit de stekker van het netsnoer.
- Gebruik geen adapter.
- Gebruik geen verlengsnoer.
- Gebruik de airconditioner niet als deze een beschadigde kabel of stekker heeft, als deze niet goed werkt, of als deze is beschadigd of is gedaald.
- De airconditioner moet alleen worden onderhouden door Qualified service personeel. Bel een geautoriseerde service bedrijf voor onderzoek, reparatie of aanpassing.
- Ontkoppel de stroom voor het schoonmaken.
- **OPMERKING:** Als u de stroom uitschakelt door op de aan/uit-knop te drukken, wordt het apparaat niet losgekoppeld van de stroomvoorziening.
- Installeer of gebruik de airconditioner niet in een gebied waar de atmosfeer brandbare gassen bevat of waar de atmosfeer verontreinigd is. Vermijd chemische stoffen die in contact komen met uw airconditioner.
- Bewaar niets direct op de top van de airconditioner.
- Gebruik twee of meer mensen te verplaatsen en te installeren Air Conditioner.
- Bedien de airconditioner nooit zonder de filter op zijn plaats.
- Gebruik de airconditioner niet in de buurt van een bad, douche of wastafel of andere natte ruimte.

LEES EN BEWAAR DEZE INSTRUCTIES

ONDERDELEN EN FUNCTIES



- ① Handvat
- ② Luchtinlaat
- ③ Bedieningspaneel
- ④ Windgids
- ⑤ Caster



- ⑥ Luchtinlaat
- ⑦ Luchtuitlaat
- ⑧ Ontvochtigingsmondstuk voor ontvochtiging
- ⑨ Luchtinlaatrooster

INSTALLATIEVEREISTEN

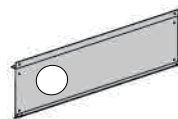
GEREEDSCHAPPEN EN ONDERDELEN

Verzamel de benodigde gereedschappen en onderdelen voordat u met de installatie begint.

GEREEDSCHAP NODIG

- Platte schroevendraaier

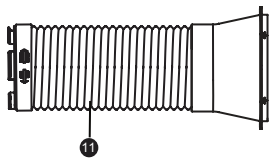
ONDERDELEN GELEVERD



- Hoofdivenstervenster



- Extensiepaneel



- Uitlaatpijpmontage



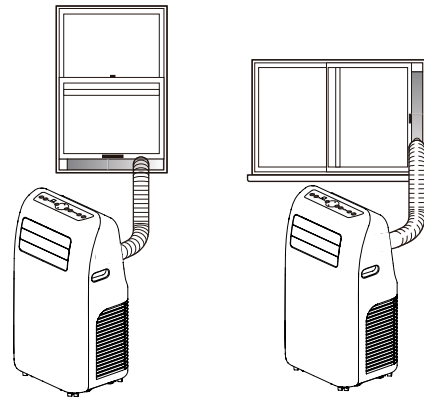
- Schroef (2)
1 voor uitbreidingspanelen
1 voor mondstuk



- Afstandsbediening voor alleen koeling Model



- Afstandsbediening voor koeling en verwarming Model



ELEKTRISCHE VEREISTEN

⚠ WAARSCHUWING



Gevaar voor elektrische schokken

- Sluit deze alleen aan op een geaard stopcontact.
- Verwijder de aardingscontacten niet van de stekker van het netsnoer.
- Gebruik geen adapter.
- Gebruik geen verlengsnoer.
- Het niet opvolgen van deze instructies kan leiden tot overlijden, brand of een elektrische schok.

LOCATIEVEREISTEN

- Plaats de airconditioner op een vlakke ondergrond op een plaats die ten minste 51 cm van een muur is verwijderd.
OPMERKING:Er moet een minimale afstand van 51 cm tussen de airconditioner en de muur worden aangehouden om een goede luchtstroom te garanderen
- Houd een vrije ruimte van minimaal 51 cm rondom de airconditioner aan om de luchtstroom niet te blokkeren
- Houd de airconditioner vrij van obstructies zoals gordijnen, rolgordijnen, enz.
- De uitlaatslang moet vrij zijn van obstructies.
- Plaats de airconditioner niet op een onstabiel of verhoogd oppervlak, omdat deze zou kunnen vallen en schade of letsel zou kunnen veroorzaken.
- Plaats de airconditioner niet in direct zonlicht of in de buurt van een warmtebron zoals plintverwarmers, kachels, enz.
- Het raampaneel kan worden geïnstalleerd in een raam met een opening van maximaal 90 cm tot maximaal 130 cm.

VOEDINGSKABEL

Bedrading Vereisten

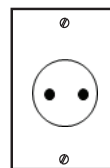
- 230 Volt, 50Hz, 16-amps gefuseerd geaard stopcontact
- Het gebruik van een tijdvertragende zekering of een tijdvertragende stroomonderbreker wordt aanbevolen.
- Gebruik alleen een speciaal circuit.

OPMERKING:Gebruik geen andere elektrische apparaten op dit circuit of u de reis van de stroomonderbreker/zekering.

Als deze voedingskabel beschadigd is, kan deze niet worden gerepareerd. Het moet worden vervangen door een koord van de fabrikant van het product.

VEREISTE AARDING METHODE

Deze airconditioner moet geaard zijn. De airconditioner is uitgerust met een voedingskabel die een aarding plug heeft. Het netsnoer moet worden aangesloten op een paring, geaard stopcontact en geaard in overeenstemming met alle lokale codes en verordeningen.



230V
16 Amp

INSTALLATIE-INSTRUCTIES

STAP 1-UITPAKKEN AIR CONDITONER

⚠ WAARSCHUWING

Overmatig gewicht gevaar

Gebruik twee of meer mensen om de airconditioner te verplaatsen en te installeren.

Als u dit niet doet, kan dit leiden tot rug- of ander letsel.

- Verwijder verpakkingsmaterialen. Bewaar de doos en de schuimverpakking voor het opbergen van de airconditioner wanneer deze niet in gebruik is.
OPMERKING: Er zijn GEEN verpakkingsmaterialen binnen de airconditioner te verwijderen-niet open de kast.
- Verwijder alle verpakkingsmateriaal op de juiste wijze.
- Voorzichtig omgaan met de airconditioner.
- Houd de airconditioner rechtop en waterpas. Stel de airconditioner niet op zijn kant, voor, achter of ondersteboven.

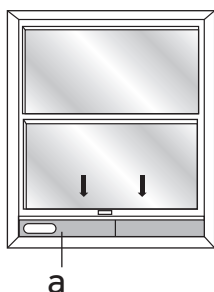
STAP 2-INSTALLEER HOOFDVENSTER PANEEL EN VERLENG PANELEN

OPMERKING: Afhankelijk van de grootte van uw vensteropening, gebruik het hoofdpaneel en een of beide van de uitbreiding panelen.

1. Open het venster en plaats het hoofdvenster paneel in het venster.

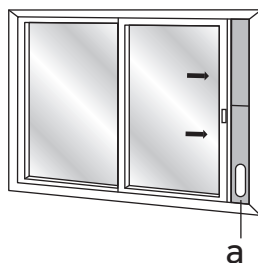
OPMERKING: De venster assemblage is ontworpen om een verticaal dia of horizontaal dia venster aan te passen.

Verticaal schuifvenster



(A) Hoofdvenster paneel

HORIZONTAAL SCHUIFVENSTER



(A) Hoofdvenster paneel

2. Pas het paneel van de uitbreiding aan op de breedte of hoogte van het venster, zoals afgebeeld.

OPMERKING: Voor sommige venster installaties is het mogelijk dat de uitbreidings panelen worden bijgesneden.

3. Gebruik één flat schroef om het hoofdpaneel aan het uitbreidings paneel te beveiligen.

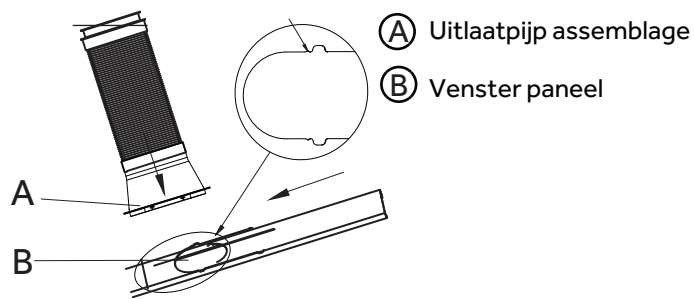


STAP 3-BEVESTIG UITLAATPIJP ASSEMBLAGE AAN HET VENSTER PANEEL

1. Grijp beide uiteinden van de Uitlaatslang en voorzichtig trekken om de slang uit te breiden.

OPMERKING: Bevestig geen extra slangen om de lengte uit te breiden. Dit zou afnemen koeling efficiency en kan schade aan de airconditioner.

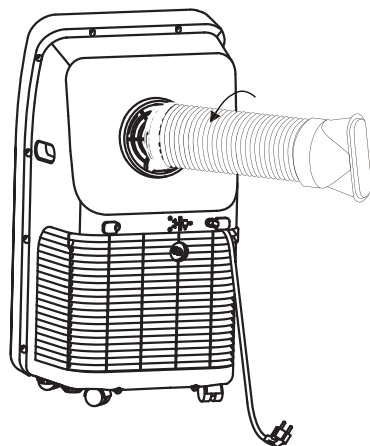
2. Plaats de luchtuitlaat slang in het venster afdichting plaat, fix het met schroeven



STAP 4-SLUIT DE UITLAATSLANG AAN OP DE AIRCONDITIONER

BELANGRIJKE: Bij het aansluiten van de slang, moet de airconditioner dicht genoeg bij het raam dat je niet zal verjagen het venster afdichting plaat. Zodra de slang is aangesloten, verplaats de airconditioner 51 cm van de muur.

1. Lijn de inkepingen op de connector einde van de Uitlaatslang met de ruggen in de opening op de achterzijde van de airconditioner.
2. Met behulp van een linksom beweging, schroef de Uitlaatslang (connector einde) in de luchtuitlaat op de achterzijde van de airconditioner.



STAP 5-VOLLEDIGE INSTALLATIE

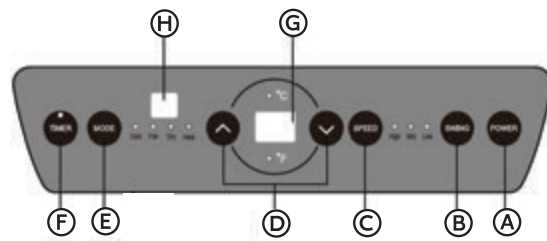
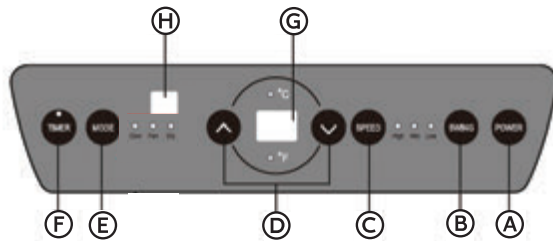
⚠ WAARSCHUWING



Gevaar voor elektrische schokken

Sluit deze alleen aan op een geaard stopcontact.
 Verwijder de aardingscontacten niet van de stekker van het netsnoer.
 Gebruik geen adapter.
 Gebruik geen verlengsnoer.
 Het nalaten om deze instructies te volgen kan in dood, fire of ElektroSchok resulteren.

CONFIGURATIESCHERM



KNOPPEN

(A) AAN/UIT-KNOP

Zet aan/uit macht aan de airconditioner.

OPMERKING: Als u de stroom uitschakelt door op de aan/uit-knop te drukken, wordt het apparaat niet losgekoppeld van de stroomvoorziening.

(B) SWING KNOP

Druk op deze toets op elk gewenst moment na het inschakelen van de A/C om de wind gids Bar automatisch zwaaien.

(C) VENTILATORSNELHEID KNOP

De ventilatorsnelheid kan van lage snelheid aan hoge snelheid worden aangepast wanneer de airconditioner in verrichting is.

OPMERKING: De ventilatorsnelheid kan niet worden aangepast als het apparaat zich in de Dehum-modus bevindt.

- Druk op de knop Fan Speed om tussen de drie snelheden te schakelen. De bijbehorende indicator voor de ventilatorsnelheid gaat branden.

(D) PIJL-KNOPPEN OMHOOG EN OMLAAG

Regelt de vertraging van temperatuur of uren in de tijd.

Om de temperatuur in te stellen:

De temperatuur kan worden ingesteld tussen 16 °C en 30 °C wanneer de airconditioner in de koele modus staat.

1. Druk op de mode-knop tot de koele modus is geselecteerd.
2. Druk op de knoppen pijl-omhoog of pijl-omlaag om de temperatuur te selecteren.

OPMERKING: De temperatuur kan niet worden ingesteld wanneer de airconditioner is in een fan of ontvochtigen modus.

OPMERKING: Met de knoppen pijl-omhoog en pijl-omlaag, wanneer tegelijkertijd wordt ingedrukt, u kiezen tussen het weergegeven van de temperatuur in °C of °F. De overeenkomstige indicator zal verlichten.

(E) MODE-KNOP

Druk op de mode-knop om te schakelen tussen de operationele opties. De overeenkomstige indicator zal verlichten:

Hitte (op sommige modellen)-verwarmt de ruimte aan de vastgestelde temperatuur

Koel-koelt de ruimte aan de vastgestelde temperatuur

Ontvochtigen-vermindert de vochtigheid in de ruimte

Fan-circuleert de lucht in de kamer zonder koeling

(F) TIMER KNOP

Programma een tijd van (1-uur tot 24-uur) voor de airconditioner uit te schakelen

Terwijl de airconditioner werkt:

1. Druk op de timer knop.
2. Druk op de pijltoetsen omhoog/omlaag om het aantal uren te selecteren dat u wilt dat de airconditioner blijft werken voordat u het uitschakelt.

OPMERKING: Wacht ongeveer 5 seconden voor de Tim-off tijd om gered te worden.

Terwijl de airconditioner is uitgeschakeld:

1. Druk op de timer knop.
2. Druk op de pijltoetsen omhoog/omlaag om het aantal uren te selecteren dat u wilt dat de airconditioner uitgeschakeld blijft voordat u aanstaat.

OPMERKING: Wacht ongeveer 5 seconden totdat de turn-on tijd is opgeslagen.

Om de timer te annuleren:

- Druk eenmaal op de timer knop, de resterende uren zullen knipperen, druk nogmaals op de timer knop en de timer wordt geannuleerd.

(G) BEDIENINGSPANEEL DISPLAY

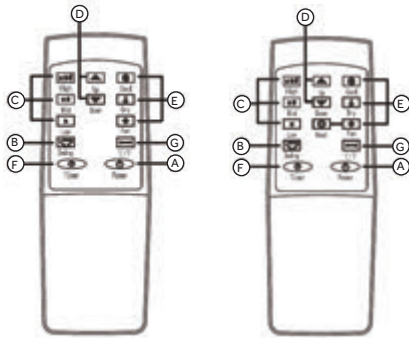
Hier wordt de ingestelde temperatuur in graden Fahrenheit of graden Celsius weergegeven, of de resterende uren in een tijdsvertraging.

Het bijbehorende indicatielampje zal branden.

(H) AFSTANDSBEDIENING SIGNAAL ONTVANGENDE VENSTER

Richt de AfstandsBediening op dit venster, zodat de controle zal het signaal ontvangen.

AFSTANDSBEDIENING



1. Plaats de twee batterijen (gekocht door gebruikers).
2. Richt de afstandsbediening op de signaal ontvanger op het bedieningspaneel om de airconditioner te bedienen.

(A) POWER-TOETS

Druk op de toets om de A/C aan/uit te zetten.

(B) SWING-TOETS

Druk op deze toets op elk gewenst moment na het inschakelen van de A/C om de wind gids Bar automatisch zwaaien.

(C) SPEEDKEY

Druk op de toets om High/Low Gear windsnelheid te kiezen.

(D) TEMPERATUUR/TIJD AANPASSEN VAN DE SLEUTEL

Druk op de toets op de koelmodus om de instel temperatuur te verhogen/verlagen; Druk op het op timing modus om de timing aan/uit tijd aan te passen; Druk gelijktijdig op en neer sleutels om Fahrenheit en Celsius graad temperatuur te schakelen.

(E) MODE-TOETS

Druk op de toets om te kiezen voor koeling, ventilator, ontvochtiging en verwarming (alleen voor koeling verwarming model).

(F) TIMER-TOETS

Druk op de toets in de standby-modus om op tijd in te stellen. Druk op deze toets bij ON mode om de tijd in te stellen.

(G) °C / °F SCHAKELENDE SLEUTEL

Druk op de toets om te schakelen tussen °C en °F .

AIR CONDITIONER GEBRUIK

BELANGRIJKE: Als de airconditioner is gekanteld op zijn kant, wacht 24 uur voor het inschakelen van de airconditioner om de olie terug te keren naar de compressor. Dit voorkomt dat de airconditioner niet te vroeg.

- Laat 51 cm ruimte rond het apparaat voor een goede luchtcirculatie.
- Gebruik de airconditioner niet zonder luchtfilter op zijn plaats.
- Mors geen vloeistof op het bedieningspaneel; het kan leiden tot een elektrische kort aan het interieur elektronische onderdelen die ofwel zou ze uitschakelen of ervoor zorgen dat ze niet goed functioneren.
- Bij het inschakelen van de airconditioner voor de eerste keer na het inpluggen in een stopcontact, zal het apparaat starten in de koelmodus ingesteld op 22 °C, en bij lage ventilatorsnelheid. Het bedieningspaneel geeft de huidige kamertemperatuur weer.
- Bij het inschakelen van het apparaat na het vorige gebruik, zal het onthouden van de laatst gebruikte instellingen.
- Na een normale afsluiting, wacht dan 3 minuten voordat u het apparaat opnieuw opstart.
- In de koelmodus moet dit apparaat geen water nodig hebben om te worden verwijderd. Dit model heeft een uniek ontwerp dat het water continu verdampt.
- Wanneer het apparaat wordt bediend in hoge luchtvochtigheid, kan het nodig zijn om de watertank periodiek leeg.
- Het apparaat wordt automatisch afgesloten wanneer de watertank vol is. De water volledige indicator verlicht om u van deze voorwaarde te waarschuwen.

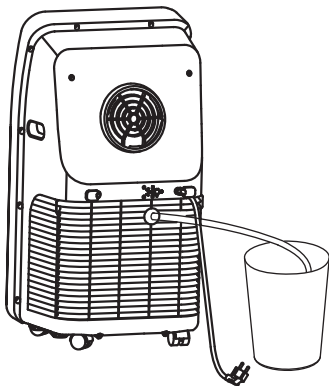
DRAINAGE INSTRUCTIE

Het heeft ook twee drainage methoden die kunnen worden gebruikt - handmatige drainage en continue drainage.

HANDMATIGE AFVOER

Dit apparaat is ontworpen met een zeer efficiënte Self-verdamping systeem en het is aanbevolen om handmatige drainage te gebruiken in de koelmodus. Condensaat zal recycleren in het apparaat om de condensor te koelen en te verbeteren koeling prestaties. Echter in extreme vochtigheid, zal de watertank in het chassis vullen en "FL" zal laten zien op de LED-display. Wanneer dit gebeurt de watertank moet handmatig worden afgevoerd van lagere afvoer poort.

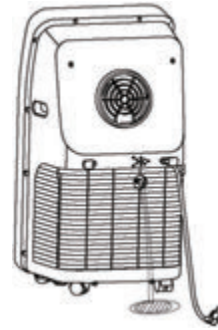
1. Zet een water wig onder de bovenste afvoer poort aan de achterzijde van het apparaat.
2. Schroef de afvoer poort te dekken en sluit drain-hole 12mm externe diameter PVC afvoerslang om water te laten stromen in het water wig.
3. Na het water is gestopt met stromende, stop in het water stop terug in en schroef de afvoer haven deksel terug op de afvoer haven strak.



CONTIOUOUS AFVOER

We raden aan deze methode te gebruiken, en afvoer van de lagere afvoer poort als het apparaat wordt gebruikt in verwarmingsmodus, omdat Self-verdamping koelsysteem werkt niet in verwarmingsmodus.

1. Schroef de klep van de afvoer poort af en verwijder het water
2. Sluit drain-gat met 12mm interne diameter PVC afvoerslang, ingevoegd zo diep mogelijk om lekkages te voorkomen.
3. Trek aan het einde van de afvoerslang naar een afvoer stopcontact in het huis, of naar de buitenkant van het huis.



OPMERKING:

- De afvoerslang moet worden geïnstalleerd voordat de eenheid begint te werken.
- De afvoerslang moet worden gerouteerd, zodat het niet per ongeluk kan worden benaderd tijdens normaal gebruik. Het moet ook worden gelegd zo recht mogelijk, zonder scherpe bochten die de waterstroom zou beperken. De gehele afvoerslang moet ook worden bewaard op een niveau onder dat van de afvoer haven.



WAARSCHUWING

Choke Gevaar

Houd de afvoer deksel en de water stopper veilig opgeslagen, uit het zicht en het bereik van zuigelingen en kinderen, wanneer continue drainage is vastgesteld.

AIR CONDITIONER ZORG

⚠ WAARSCHUWING



Gevaar voor elektrische schokken

Ontkoppel de stroom voor het schoonmaken.
Niet te doen kan resulteren in de dood of elektrische schokken.

REINIGING

1. Haal de stekker uit het stopcontact.
2. Gebruik alleen een zachte doek bevochtigd met water om de kast schoon te maken.

OPMERKING:

- Gebruik geen vloeistof of spray reiniger om de airconditioner schoon te maken.
- Gebruik geen chemicaliën, schuurmiddelen, ammoniak, chloor, geconcentreerd wasmiddel, oplosmiddel of schuursponsjes. Sommige van deze chemicaliën/items kunnen beschadigen en/of verkleuren uw airconditioner.

3. Droog grondig met een zachte doek.
4. Sluit de stroom aan of sluit deze opnieuw aan.

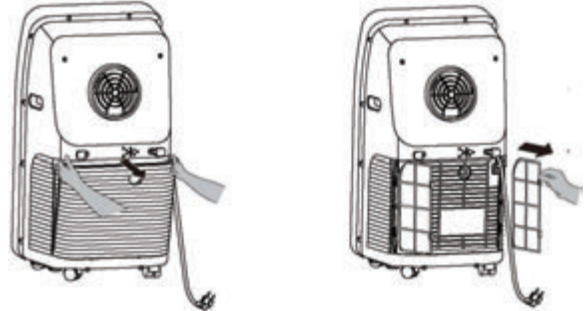
LUCHT FILTERS

De luchtfilter moet worden schoongemaakt ten minste eenmaal per week voor uw toestel om te werken op een optimale efficiëntie.

BELANGRIJKE: Niet bedienen van de airconditioner zonder luchtfilter op zijn plaats.

1. Haal de stekker uit het stopcontact.

2. Haal de luchtinlaat grille en trek het filter scherm aan beide zijden volgens de richting weergegeven in de volgende cijfers.



3. Zet het filter scherm in het warme water (ongeveer 40 °C) toegevoegd met neutraal wasmiddel, droog het op een schaduwrijke plaats na het schoonmaken.
4. De filters opnieuw installeren
5. Sluit de stroom aan of sluit deze opnieuw aan.

OPSLAG

Als het apparaat gedurende langere tijd niet wordt gebruikt:

1. Haal de stekker uit het stopcontact.
2. Afvoer van het water uit de watertank. Zie "Air Conditioner Care."
3. Gebruik de originele verpakking om het apparaat opnieuw in te pakken om een ophoping van stof of vuil te voorkomen.
4. Bewaar de airconditioner op een koele, droge plaats.

PROBLEEMOPLOSSEN

Probeer eerst de oplossingen voorgesteld hier om eventueel te voorkomen dat de kosten van een dienst te bellen.

PROBLEMEN	OORZAAK	OPLOSSING
De A/C werkt niet	Niet aansluiten	Invoegtoepassing
	In het display wordt "FL"	Herstart de A/C na de macht off en drainage, dan zal het normaal worden
	Time OFF-functie is gestart	De A/C kan worden herstart 3 minuten na het draaien off.
De A/C begint regelmatig	In directe zonlicht	Teken het gordijn
	Deuren en ramen blijven open; Er zijn veel mensen of warmtebron in de kamer	Sluit deuren en ramen, verwijder warmtebron
	Filter scherm is erg vies	Reinigen of vervangen
	Luchttoevoer of luchtuitlaat is geblokkeerd	Verwijder de stengel
Grote ruis van de A/C	De A/C is ongelijk geplaatst	Plaats het op even en firm grond, Vermijd schudden
De compressor werkt niet	Zijn vertragsings bescherming wordt begonnen	Wachten op 3min., zet hem na de temperatuur daalt

SPECIFICATIE

BELANGRIJKE INFORMATIE OVER HET GEBRUIKTE KOUEMIDDEL

Dit product bevat het gas R290, vervat in een hermetisch afgesloten systeem.

AM09AA2TAA/AM09AA2GAA

Charge = 0,235 kg,
GWP = 3,
CO₂-equivalent = 0.000705 tonen

AM 12AA2TAA/AM12AA2GAA

Charge = 0,245 kg,
GWP = 3,
CO₂-equivalent = 0.000735 tonen

EUROPESE REGELGEVING CONFORM DE MODELLEN

WEEE

In overeenstemming met de richtlijn van het Europees Parlement stellen wij de consument hierbij op de hoogte van de verwijderings eisen van de elektrische en elektronische producten.

VERWIJDERING EISEN



Uw airco product is gemarkeerd met dit symbool. Dit betekent dat elektrische en elektronische producten niet mogen worden gemengd met ongesorteerd huishoudelijk afval. Probeer het systeem niet zelf te ontmantelen: de ontmanteling van het aircosysteem, de behandeling van het koelmiddel, van olie en van een ander deel moet worden gedaan door een gekwalificeerd installateur in overeenstemming met de relevante lokale en nationale wetgeving. Airconditioners moeten worden behandeld op een gespecialiseerde behandeling faciliteit voor hergebruik, recycling en nuttige toepassing. Door ervoor te zorgen dat dit product correct wordt verwijderd, helpt u mogelijke negatieve gevolgen voor het milieu en de gezondheid van de mens te voorkomen. Neem contact op met de installateur of de lokale overheid voor meer informatie. De batterij moet van de afstandsbediening verwijderd worden en apart weggegooid in overeenstemming met de relevante lokale en nationale wetgeving.